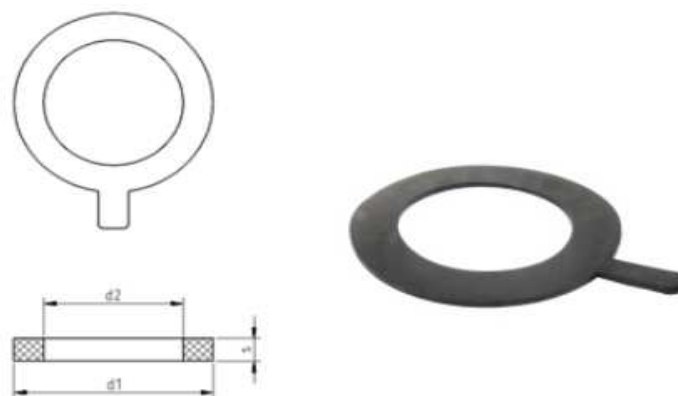


BLS 113/160 Bolt-lock seal NK 55  
 BLS 140/192 Bolt-lock seal NK 55  
 BLS 163/215 Bolt-lock seal NK 55  
 BLS 222/126 Bolt-lock seal NK 55  
 BLS 274/324 Bolt-lock seal NK 55  
 BLS 294/363 Bolt-lock seal NK 55  
 BLS 343/412 Bolt-lock seal NK 55  
 BLS 392/470 Bolt-lock seal NK 55  
 BLS 40/86 Bolt-lock seal NK 55  
 BLS 49/91,2 Bolt-lock seal NK 55  
 BLS 519/583 Bolt-lock seal NK 55  
 BLS 608/681 Bolt-lock seal NK 55  
 BLS 90/138 Bolt-lock seal NK 55



DBF 20/16/8/5\*10 Türpuffer NK 55  
 DBF 25/20/7/4,5\*10 Türpuffer NK 55



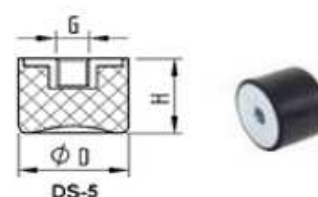
DBH 26/10/5\*29 Türpuffer NK 55  
 DBH 28/14/6\*25 Türpuffer NK 55  
 DBH 30/13/6\*32 Türpuffer NK 55  
 DBH 40/16/6\*46 Türpuffer NK 55  
 DBH 40/18/6\*25 Türpuffer NK 55  
 DBH 40/18/6\*31 Türpuffer NK 55  
 DBH 40/20/7\*25 Türpuffer NK 55  
 DBH 40/20/7\*35 Türpuffer NK 55



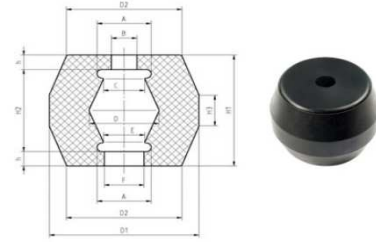
DS-4 15/14 Saugfuss M4\*13 NK 55 St37  
 DS-4 20/23,5 Saugfuss M6\*18 NK 55 St37  
 DS-4 20/23,5 Saugfuss M8\*30 NK 55 St37  
 DS-4 25/18,5 Saugfuss M6\*18 NK 55 St37  
 DS-4 30/28,5 Saugfuss M8\*23 NK 55 St37  
 DS-4 40/28 Saugfuss M8\*23 NK 55 St37  
 DS-4 50/28 Saugfuss M10\*28 NK 55 St37  
 DS-4 70/43 Saugfuss M10\*28 NK 55 St37  
 DS-4 75/37 Saugfuss M12\*37 NK 55 St37  
 DS-4 75/37 Saugfuss M16\*41 NK 55 St37



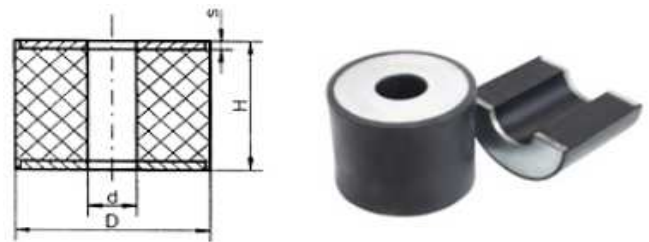
DS-5 15/14 Saugfuss M4 NK 55 St37  
 DS-5 25/18,5 Saugfuss M6 NK 55 St37  
 DS-5 30/28,5 Saugfuss M8 NK 55 St37  
 DS-5 40/28 Saugfuss M8 NK 55 St37  
 DS-5 50/28 Saugfuss M10 NK 55 St37  
 DS-5 70/43 Saugfuss M10 NK 55 St37  
 DS-5 75/37 Saugfuss M12 NK 55 St37



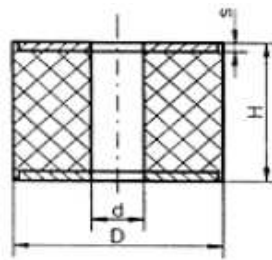
GF 055/055 Gummihohlfeder NK 65  
 GF 056/090 Gummihohlfeder NK 65  
 GF 090/108 Gummihohlfeder NK 65  
 GF 140/125 Gummihohlfeder NK 65  
 GF 150/155 Gummihohlfeder NK 65  
 GF 150/188 Gummihohlfeder NK 65  
 GF 180/188 Gummihohlfeder NK 65



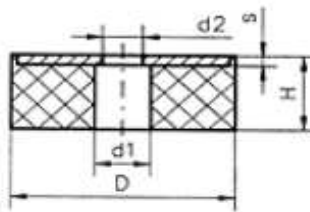
GH 010/4,5-10 G.Hohlpuffer NK 55 St37  
 GH 015/6-25 G.Hohlpuffer NK 55 St37  
 GH 017,5/9-16 G.Hohlpuffer NK 55 St37  
 GH 017/7-10 G.Hohlpuffer NK 55 St37 S02  
 GH 020/6-25 G.Hohlpuffer NK 55 St37 (100 pcs)  
 GH 020/6-25 G.Hohlpuffer NK 55 St37 (40 pcs)  
 GH 025/8,5-60 G.Hohlpuffer NK 55 St37  
 GH 026/12,5-25 G.Hohlpuffer NK 55 St37  
 GH 030/11-14 G.Hohlpuffer NK 55 St37  
 GH 035/10,5-50 S03 G.Hohlpuffer NK 55 St37  
 GH 040/13-15 G.Hohlpuffer NK 55 St37 S02  
 GH 040/13-15 G.Hohlpuffer NK 55 St37 S03  
 GH 040/13-16 G.Hohlpuffer NK 55 St37 S03  
 GH 040/13-20 G.Hohlpuffer NK 55 St37  
 GH 040/13-30 G.Hohlpuffer NK 55 St37  
 GH 040/13-35 G.Hohlpuffer NK 55 St37  
 GH 040/13-40 G.Hohlpuffer NK 55 St37  
 GH 050/10,5-35 G.Hohlpuffer NK 55 St37  
 GH 050/11-25 G.Hohlpuffer NK 55 St37  
 GH 050/13-25 G.Hohlpuffer NK 55 St37 S03  
 GH 050/13-30 G.Hohlpuffer NK 55 St37  
 GH 050/14-10 G.Hohlpuffer NK 55 St37  
 GH 050/17-20 G.Hohlpuffer NK 55 St37  
 GH 050/17-40 G.Hohlpuffer NK 55 St37  
 GH 050/17-50 G.Hohlpuffer NK 55 St37  
 GH 050/21-15 G.Hohlpuffer NK 55 St37  
 GH 050/21-30 G.Hohlpuffer NK 55 St37  
 GH 060/18-30 G.Hohlpuffer NK 55 St37 S04  
 GH 060/21-30 G.Hohlpuffer NK 55 St37 s=3  
 GH 060/21-50 G.Hohlpuffer NK 55 St37  
 GH 060/21,5-30 G.Hohlpuffer NK 55 St37  
 GH 060/22-30 G.Hohlpuffer NK 55 St37  
 GH 060/24-50 G.Hohlpuffer NK 55 St37  
 GH 060/25-40 S04 G.Hohlpuffer NK 55 St37  
 GH 060/30-20 S03 G.Hohlpuffer NK 55 St37  
 GH 070/14-40 G.Hohlpuffer NK 55 St37  
 GH 075/12,5-35 S03 G.Hohlpuffer NK 55 St37  
 GH 075/17-60 G.Hohlpuffer NK 55 St37  
 GH 075/25-55 G.Hohlpuffer NK 55 St37  
 GH 080/21-30 G.Hohlpuffer NK 55 St37  
 GH 080/21-50 G.Puffer NK 55 St37



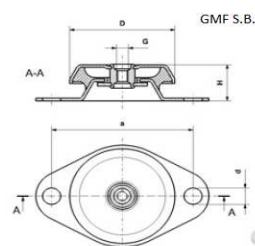
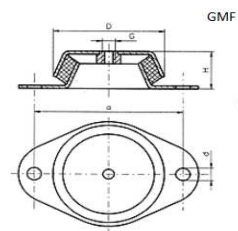
GH 080/25-40 G.Hohlpuffer NK 55 St37  
 GH 090/32-40 G.Hohlpuffer NK 55 St37  
 GH 100/18-40 G.Hohlpuffer NK 55 St37  
 GH 100/21-40 G.Hohlpuffer NK 55 St37  
 GH 100/21-60 G.Hohlpuffer NK 55 St37  
 GH 100/25-70 G.Hohlpuffer NK 55 St37  
 GH 100/30-50 G.Hohlpuffer NK 55 St37 S04  
 GH 100/31-40 G.Hohlpuffer NK 55 St37  
 GH 100/31-45 S05 G.Hohlpuffer NK 55 St37  
 GH 100/31-50 G.Hohlpuffer NK 55 St37  
 GH 100/32-60 G.Hohlpuffer NK 55 St37  
 GH 100/33-75 G.Hohlpuffer NK 55 St37  
 GH 100/50-50 G.Hohlpuffer NK 60 St37  
 GH 105/46-60 S04 G.Hohlpuffer NK 55 St37  
 GH 120/41-40 G.Hohlpuffer NK 55 St37  
 GH 120/51-40 G.Hohlpuffer NK 55 St37  
 GH 150/20-50 G.Hohlpuffer NK 55 St37  
 GH 150/51-100 G.Hohlpuffer NK 55 St37  
 GH 200/32-100 G.Hohlpuffer NK 55 St37  
 GH 200/61-100 G.Hohlpuffer NK 55 St37



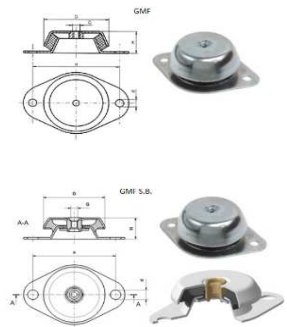
GK 030/16 d16/9 G.kranz NK 55 St37  
 GK 040/20 d17/9 G.kranz NK 55 St37  
 GK 050/16 d20/11 G.kranz NK 55 St37  
 GK 050/20 d22/11 G.kranz NK 55 St37  
 GK 060/18 d25/25 G.kranz NK 55 St37  
 GK 060/20 d25/11 G.kranz NK 55 St37  
 GK 075/25 d30/13 G.kranz NK 55 St37  
 GK 080/20 d32/13 G.kranz NK 55 St37  
 GK 100/25 d40/13 G.kranz NK 55 St37  
 GK 100/30 d60/22 G.kranz NK 55 St37  
 GK 100/30 d60/33 G.kranz NK 55 St37  
 GK 120/25 d50/17 G.kranz NK 55 St37



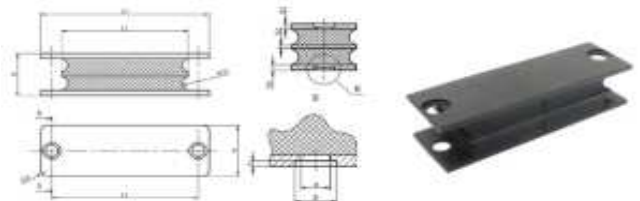
GMF 048/23 Maschinenfuss M6 NK 60 St37 S.B.  
 GMF 048/23 Maschinenfuss M8 NK 60 St37  
 GMF 048/23 Maschinenfuss M8 NK 60 St37 S.B.  
 GMF 062/30 Maschinenfuss M10 NK 60 St37  
 GMF 062/30 Maschinenfuss M10 NK 60 St37 S.B.  
 GMF 062/30 Maschinenfuss M12 NK 60 St37  
 GMF 062/30 Maschinenfuss M12 NK 60 St37 S.B.  
 GMF 062/30 Maschinenfuss M8 NK 60 St37  
 GMF 062/30 Maschinenfuss M8 NK 60 St37 S.B.  
 GMF 092/45 Maschinenfuss M10 NK 60 St37  
 GMF 092/45 Maschinenfuss M12 NK 60 St37  
 GMF 092/45 Maschinenfuss M12 NK 60 St37 S.B.  
 GMF 092/45 Maschinenfuss M14 NK 60 St37  
 GMF 092/45 Maschinenfuss M14 NK 60 St37 S.B.  
 GMF 092/45 Maschinenfuss M16 NK 60 St37  
 GMF 092/45 Maschinenfuss M16 NK 60 St37 S.B.



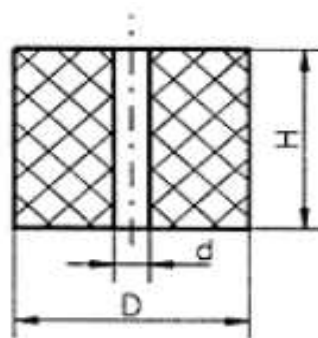
GMF 101/38 Maschinenfuss M12 NK 60 St37  
 GMF 101/38 Maschinenfuss M12 NK 60 St37 S.B.  
 GMF 101/38 Maschinenfuss M16 NK 60 St37  
 GMF 101/38 Maschinenfuss M16 NK 60 St37 S.B.  
 GMF 106/38 Maschinenfuss M12 NK 60 St37  
 GMF 106/38 Maschinenfuss M12 NK 60 St37 S.B.  
 GMF 106/38 Maschinenfuss M16 NK 60 St37  
 GMF 106/38 Maschinenfuss M16 NK 60 St37 S.B.  
 GMF 160/60 Maschinenfuss M16 NK 60 St37  
 GMF 160/60 Maschinenfuss M16 NK 60 St37 S.B.



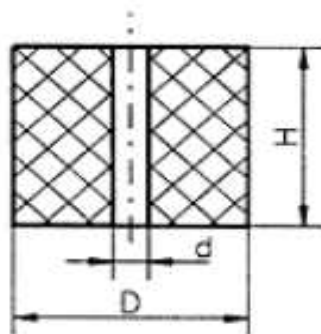
GMRS-1 57\*108\*43 Puffer A NK 52 St37  
 GMRS-2 57\*168\*43 Puffer B NK 45 St37



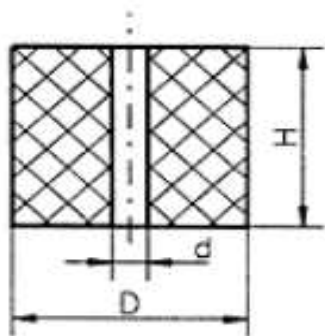
GP 008,5/3,2-3,5 G.Puffer NK 55  
 GP 010/4,3-8 G.Puffer NK 55  
 GP 013/6,5-12 G.Puffer NK 55  
 GP 016/8-10 G.Puffer NK 55  
 GP 017,5/9-16 G.Puffer NK 55  
 GP 019/13-19 G.Puffer NK 55  
 GP 020/13-12 G.Puffer NK 55  
 GP 020/8-15 G.Puffer NK 55  
 GP 020/8,5-15 G.Puffer NK 55  
 GP 020/8,5-30 G.Puffer NK 55  
 GP 022/6,5-25 G.Puffer NK 55  
 GP 022/8,5-8 G.Puffer NK 55  
 GP 025/10-40 G.Puffer NK 55  
 GP 025/10,5-15 G.Puffer NK 55  
 GP 025/10,5-15 G.Puffer NK 55 Sh  
 GP 025/10,5-25 G.Puffer NK 55  
 GP 025/10,5-40 G.Puffer NK 55  
 GP 025/12-15 G.Puffer NK 55  
 GP 025/12,3-25 +/-0,2 G.Puffer NK 55  
 GP 025/8-25 G.Puffer NK 55  
 GP 025/8-28 G.Puffer NK 55  
 GP 025/8-5 G.Puffer NK 55  
 GP 025/8,5-25 G.Puffer NK 55  
 GP 025/8,5-5 G.Puffer NK 55  
 GP 028/10,5-28 G.Puffer NR 55 Sh  
 GP 028/10,5-50 G.Puffer NR 55 Sh  
 GP 028/12-7 G.Puffer NR 55 ShA  
 GP 028/8-16 G.Puffer NK 55  
 GP 030/10-13 G.Puffer NK 55  
 GP 030/10-17 G.Puffer NK 55  
 GP 030/10-20 G.Puffer NK 55



GP 030/10-30 G.Puffer NK 55  
 GP 030/13-35 G.Puffer NK 55  
 GP 030/13,5-20 G.Puffer NK 55  
 GP 030/15-30 G.Puffer NK 55  
 GP 030/16-15 G.Puffer NK 55  
 GP 030/16-40 G.Puffer NK 55  
 GP 030/20-40 G.Puffer NK 55  
 GP 030/6,5-22 G.Puffer NK 55  
 GP 030/8-20 G.Puffer NK 55  
 GP 032/13,5-32 G.Puffer NK 55  
 GP 032/13,5-63 G.Puffer NK 55  
 GP 032/14-50 G.Puffer NK 55  
 GP 034/11-50 G.Puffer NK 55  
 GP 035/11-29 G.Puffer NK 55  
 GP 035/15-70 G.Puffer NK 55  
 GP 035/16-40 G.Puffer NK 55  
 GP 035/16,5-40 G.Puffer NK 55  
 GP 035/8-50 G.Puffer NK 55  
 GP 036/10,5-50 G.Puffer NK 55  
 GP 036/18-36 G.Puffer NK 55  
 GP 038/16-40 G.Puffer NK 55  
 GP 038/17-100 G.Puffer NK 55  
 GP 040/025-35 G.Puffer NK 55  
 GP 040/09-30 G.Puffer NK 55  
 GP 040/12-25 G.Puffer NK 55  
 GP 040/12-25 G.Puffer NK 75  
 GP 040/12-35 G.Puffer NK 55  
 GP 040/12-65 G.Puffer NK 55  
 GP 040/12,5-20 G.Puffer NK 55  
 GP 040/13-16 G.Puffer NK 55  
 GP 040/13-20 G.Puffer NBR 70  
 GP 040/13-20 G.Puffer NK 55  
 GP 040/13-30 G.Puffer NK 55  
 GP 040/13-40 G.Puffer NK 55  
 GP 040/13,5-32 G.Puffer NK 55  
 GP 040/13,5-40 G.Puffer NK 55 WS  
 GP 040/13,5-50 G.Puffer NK 55  
 GP 040/15-20 G.Puffer NK 55  
 GP 040/15-50 G.Puffer NK 55  
 GP 040/16-40 G.Puffer NK 55  
 GP 040/17-30 G.Puffer NK 55  
 GP 040/25-14 G.Puffer NK 55  
 GP 040/26-100 G.Puffer NK 55  
 GP 042/10-10 G.Puffer NK 55  
 GP 043/14-22 G.Puffer NK 55  
 GP 045/24-34 G.Puffer NK 55  
 GP 045/30-12 G.Puffer NK 55  
 GP 047/20-50 G.Puffer NK 55  
 GP 048/17-100 G.Puffer NK 55  
 GP 048/25-50 G.Puffer NK 55

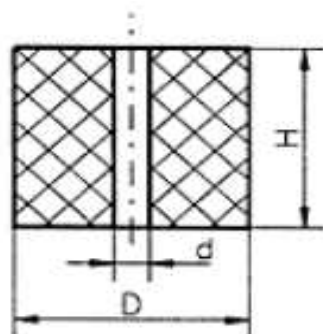


GP 049/23-22 G.Puffer NK 55  
 GP 050/10-40 G.Puffer NK 55  
 GP 050/10-45 G.Puffer NK 55  
 GP 050/11-55 G.Puffer NK 55  
 GP 050/13,5-50 G.Puffer NK 55  
 GP 050/14-80 G.Puffer NK 55  
 GP 050/15-25 G.Puffer NK 55  
 GP 050/16-35 G.Puffer NK 55  
 GP 050/17-100 G.Puffer NK 55  
 GP 050/17-25 G.Puffer NK 55  
 GP 050/17-27 G.Puffer NK 55  
 GP 050/17-32 G.Puffer NK 55  
 GP 050/17-40 G.Puffer NK 55  
 GP 050/17-50 G.Puffer NK 55  
 GP 050/17-63 G.Puffer NK 55  
 GP 050/17-80 G.Puffer NK 55  
 GP 050/20-38 G.Puffer NK 55  
 GP 050/20-60 G.Puffer NK 55  
 GP 050/20,5-15 G.Puffer NK 55  
 GP 050/20,5-30 G.Puffer NK 55  
 GP 050/24-50 G.Puffer NK 55  
 GP 050/24,8-50 G.Puffer NK 55  
 GP 050/25-25 G.Puffer NK 55  
 GP 050/25-36 G.Puffer NK 55  
 GP 050/25-45 G.Puffer NK 55  
 GP 050/30-11 G.Puffer NK 55  
 GP 050/30-45 G.Puffer NK 55  
 GP 050/35-17 G.Puffer NK 55  
 GP 051/16,6-32,3 G.Puffer NK 55  
 GP 053,2/21,4-26,5 G.Puffer NK 55  
 GP 053/32,5-100 G.Puffer NK 55  
 GP 055/18-40 G.Puffer NK 55  
 GP 056/037-66 G.Puffer NK 55  
 GP 058/17-100 G.Puffer NK 55  
 GP 060/17-30 G.Puffer NK 55  
 GP 060/17-5 G.Puffer NK 55  
 GP 060/18-40 G.Puffer NK 55  
 GP 060/20-40 G.Puffer N5 55  
 GP 060/23-40 G.Puffer NK 55  
 GP 060/24,5-70 G.Puffer NK 55  
 GP 060/30-50 G.Puffer NK 55  
 GP 062/20-30 G.Puffer NK 55  
 GP 063/17-32 G.Puffer NK 55  
 GP 063/21-50 G.Puffer NK 55  
 GP 065/22-45 G.Puffer NK 55  
 GP 066/46-30 G.Puffer NK 55  
 GP 067/17,5-44 G.Puffer NK 55  
 GP 069/34-35 G.Puffer NK 55  
 GP 069/34-46 G.Puffer NK 55  
 GP 070/17-63 G.Puffer NK 55

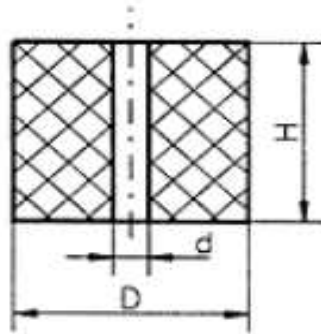




GP 070/40 G.Puffer NK 55  
 GP 070/40-40 G.Puffer NK 55  
 GP 075/18-40 G.Puffer NK 55  
 GP 075/25-55 G.Puffer NK 55  
 GP 075/25-70 G.Puffer NK 55  
 GP 075/29-100 G.Puffer NK 55  
 GP 075/55-50 G.Puffer NK 55  
 GP 080/15-50 G.Puffer NK 55  
 GP 080/20-27 G.Puffer NK 55  
 GP 080/20-40 G.Puffer NK 55  
 GP 080/21-100 G.Puffer NK 55  
 GP 080/21-30 G.Puffer NK 55  
 GP 080/21-32 G.Puffer NK 55  
 GP 080/21-40 G.Puffer NK 55  
 GP 080/21-40 G.Puffer NK 55  
 GP 080/21-50 G.Puffer NK 55  
 GP 080/21-63 G.Puffer NK 55  
 GP 080/21-80 G.Puffer NK 55  
 GP 080/22-40 G.Puffer NK 55  
 GP 080/23-80 G.Puffer NK 55  
 GP 080/25-40 G.Puffer NK 55  
 GP 080/25-82 G.Puffer NK 55  
 GP 080/25-82 G.Puffer NK 85  
 GP 080/27,5-40 G.Puffer NK 55  
 GP 080/30-35 G.Puffer NK 55  
 GP 080/39-125 G.Puffer NK 55  
 GP 080/40-30 G.Puffer NK 55  
 GP 080/40-50 G.Puffer NK 55  
 GP 080/40-60 G.Puffer NK 55  
 GP 084/49-60 G.Puffer NK 55  
 GP 090/30-45 G.Puffer NK 55  
 GP 095/30-50 G.Puffer NK 55  
 GP 100/18-50 G.Puffer NK 55  
 GP 100/20-70 G.Puffer NK 55  
 GP 100/21-40 G.Puffer NK 55  
 GP 100/21-40 G.Puffer NK 85  
 GP 100/25-30 G.Puffer NK 55  
 GP 100/25-32 G.Puffer NK 55  
 GP 100/25-40 G.Puffer NK 55  
 GP 100/25-50 G.Puffer NK 55  
 GP 100/25-70 G.Puffer NK 55  
 GP 100/26-40 G.Puffer NK 55  
 GP 100/26-40 G.Puffer NK 55  
 GP 100/27-40 G.Puffer NK 55  
 GP 100/29-30 G.Puffer NK 55  
 GP 100/30-100 G.Puffer NK 55  
 GP 100/30-190 G.Puffer NK 55  
 GP 100/30-35 G.Puffer NK 55  
 GP 100/33-40 G.Puffer NK 55  
 GP 100/33-75 G.Puffer NK 55

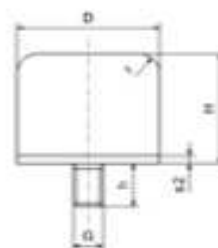


GP 100/40-70 G.Puffer NK 55  
 GP 100/50-100 G.Puffer NK 55  
 GP 100/60-160 G.Puffer NK 55  
 GP 100/70-40 G.Puffer NK 55  
 GP 102/32-50 G.Puffer NK 55  
 GP 102/32-75 G.Puffer NK 55  
 GP 105/46-62 G.Puffer NK 55  
 GP 108/50-120 G.Puffer NK 55  
 GP 110/22-60 G.Puffer NK 55  
 GP 110/26-113 G.Puffer NK 55  
 GP 115/76,5-70 G.Puffer NK 55  
 GP 120/25-40 G.Puffer NK 55  
 GP 120/40-40 G.Puffer NK 55  
 GP 120/40-50 G.Puffer NK 55  
 GP 120/50-100 G.Puffer NK 55  
 GP 120/50-40 G.Puffer NK 55  
 GP 125/35-125 G.Puffer NK 55  
 GP 125/50-125 G.Puffer NK 55  
 GP 140/30-120 G.Puffer NK 55  
 GP 140/40-110 G.Puffer NK 55  
 GP 140/50-140 G.Puffer NK 55  
 GP 150/35-110 G.Puffer NK 55  
 GP 150/45-180 G.Puffer NK 55  
 GP 150/51-100 G.Puffer NK 55  
 GP 160/32-50 G.Puffer NK 55  
 GP 160/33-160 G.Puffer NK 55  
 GP 200/21-200 G.Puffer NK 55  
 GP 200/33-200 G.Puffer NK55  
 GP 200/45-200 G.Puffer NK 55  
 GP 200/61-100 G.Puffer NK 55  
 GP 200/70-160 G.Puffer NK 55  
 GP 200/80-250 G.Puffer NK 55  
 GP 215/60-125 G.Puffer NK 55  
 GP 215/60-95 G.Puffer NK 55  
 GP 215/90-200 G.Puffer NK 55  
 GP 235/60-200 G.Puffer NK 55  
 GP 250/60-200 G.Puffer NK 55  
 GP 250/60-220 G.Puffer NK 55



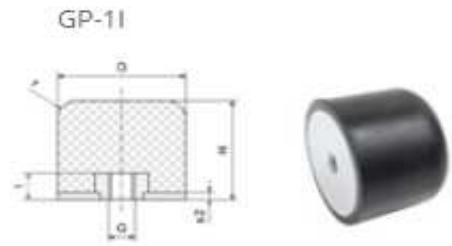
GP-1G 040/32 Kran-Puffer M8\*23 NK 70 St37  
 GP-1G 050/40 Kran-Puffer M10\*28 NK 70 St37  
 GP-1G 063/50 Kran-Puffer M10\*28 NK 70 St37  
 GP-1G 080/63 Kran-Puffer M12\*37 NK 70 St37  
 GP-1G 100/80 Kran-Puffer M12\*36 NK 70 St37  
 GP-1G 100/80 Kran-Puffer M16\*44 NK 70 St37  
 GP-1G 125/100 Kran-Puffer M12\*37 NK 70 St37  
 GP-1G 125/100 Kran-Puffer M16\*36 NK 70 St37  
 GP-1G 160/125 Kran-Puffer M16\*44 NK 70 St37  
 GP-1G 200/160 Kran-Puffer M16\*41 NK 70 St37

GP-1G





GP-1I 040/32 Kran-Puffer M8 NK 70 St37  
 GP-1I 050/40 Kran-Puffer M10 NK 70 St37  
 GP-1I 063/50 Kran-Puffer M10 NK 70 St37  
 GP-1I 080/63 Kran-Puffer M12 NK 70 St37  
 GP-1I 100/80 Kran-Puffer M12 NK 70 St37  
 GP-1I 125/100 Kran-Puffer M16 NK 70 St37  
 GP-1I 160/125 Kran-Puffer M16 NK 70 St37  
 GP-1I 200/160 Kran-Puffer M20 NK 70 St37



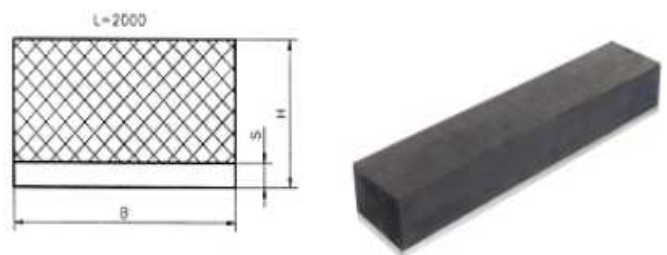
GP-2G 100/80 Kran-Puffer M12\*36 NK 55 St37  
 GP-2G 100/80 Kran-Puffer M12\*36 NK 70 St37  
 GP-2G 125/100 Kran-Puffer M16\*36 NK 70 St37  
 GP-2G 160/125 Kran-Puffer M16\*44 NK 70 St37  
 GP-2G 200/160 Kran-Puffer M20\*44 NK 70 St37



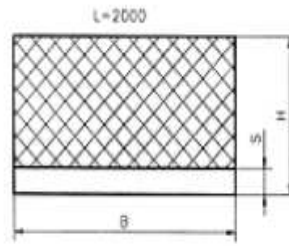
GP-QP 040/32 Kran-Puffer NK 70 St37  
 GP-QP 050/40 Kran-Puffer NK 70 St37  
 GP-QP 063/50 Kran-Puffer NK 70 St37  
 GP-QP 080/63 Kran-Puffer NK 70 St37  
 GP-QP 100/80 Kran-Puffer NK 70 St37  
 GP-QP 125/100 Kran-Puffer NK 70 St37  
 GP-QP 160/125 Kran-Puffer NK 70 St37  
 GP-QP 200/160 Kran-Puffer NK 70 St37



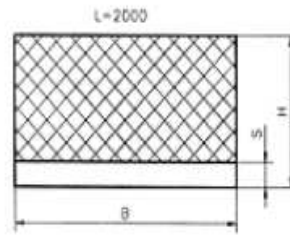
GS-M1 010\*030 S10 G.M Schiene NK 55 St37  
 GS-M1 020\*008 S04 G.M Schiene NK 55 St37  
 GS-M1 020\*010 S05 G.M Schiene NK 55 St37  
 GS-M1 020\*010 S06 G.M Schiene NK 55 St37  
 GS-M1 020\*015 S05 G.M Schiene NK 55 St37  
 GS-M1 020\*020 S05 G.M Schiene NK 55 St37  
 GS-M1 020\*020 S10 G.M Schiene NK 55 St37  
 GS-M1 020\*030 S05 G.M Schiene NK 55 St37  
 GS-M1 020\*030 S15 G.M Schiene NK 55 St37  
 GS-M1 025\*008 S04 G.M Schiene NK 55 St37  
 GS-M1 025\*010 S05 G.M Schiene NK 55 St37  
 GS-M1 025\*015 S05 G.M Schiene NK 55 St37  
 GS-M1 025\*025 S05 G.M Schiene NK 55 St37  
 GS-M1 025\*025 S08 G.M Schiene NK 55 St37  
 GS-M1 025\*025 S10 G.M Schiene NK 55 St37  
 GS-M1 025\*030 S05 G.M Schiene NK 55 St37  
 GS-M1 025\*030 S10 G.M Schiene NK 55 St37  
 GS-M1 030\*006 S03 G.M Schiene NK 55 St37  
 GS-M1 030\*007 S05 G.M Schiene NK 55 St37  
 GS-M1 030\*008 S03 G.M Schiene NK 55 St37  
 GS-M1 030\*008 S04 G.M Schiene NK 55 St37  
 GS-M1 030\*010 S03 G.M Schiene NK 55 St37



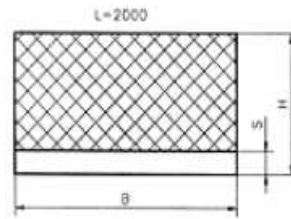
GS-M1 030\*010 S05 G.M Schiene NK 55 St37  
 GS-M1 030\*015 S03 G.M Schiene NK 55 St37  
 GS-M1 030\*015 S03 G.M Schiene NK 855 St37  
 GS-M1 030\*015 S05 G.M Schiene NK 55 St37  
 GS-M1 030\*020 S05 G.M Schiene NK 55 St37  
 GS-M1 030\*020 S06 G.M Schiene NK 55 St37  
 GS-M1 030\*020 S10 G.M Schiene NK 55 St37  
 GS-M1 030\*025 S05 G.M Schiene NK 55 St37  
 GS-M1 030\*025 S10 G.M Schiene NK 55 St37  
 GS-M1 030\*030 S05 G.M Schiene NK 55 St37  
 GS-M1 030\*030 S10 G.M Schiene NK 55 St37  
 GS-M1 035\*005 S02,5 G.M Schiene NK 55 St37  
 GS-M1 035\*008 S03 G.M Schiene NK 55 St37  
 GS-M1 035\*010 S05 G.M Schiene NK 55 St37  
 GS-M1 035\*015 S05 G.M Schiene NK 55 St37  
 GS-M1 035\*015 S10 G.M Schiene NK 55 St37  
 GS-M1 035\*025 S05 G.M Schiene NK 55 St37  
 GS-M1 035\*035 S10 G.M Schiene NK 55 St37  
 GS-M1 035\*040 S10 G.M Schiene NK 55 St37  
 GS-M1 040\*007 S02 G.M Schiene NK 55 St37  
 GS-M1 040\*007 S03 G.M Schiene NK 55 St37  
 GS-M1 040\*008 S03 G.M Schiene NK 55 St37  
 GS-M1 040\*008 S04 G.M Schiene NK 55 St37  
 GS-M1 040\*010 S05 G.M Schiene NK 55 St37  
 GS-M1 040\*015 S05 G.M Schiene NK 55 St37  
 GS-M1 040\*015 S10 G.M Schiene NK 55 St37  
 GS-M1 040\*020 S05 G.M Schiene NK 55 St37  
 GS-M1 040\*020 S06 G.M Schiene NK 55 St37  
 GS-M1 040\*020 S08 G.M Schiene NK 55 St37  
 GS-M1 040\*020 S10 G.M Schiene NK 55 St37  
 GS-M1 040\*025 S05 G.M Schiene NK 55 St37  
 GS-M1 040\*025 S10 G.M Schiene NK 55 St37  
 GS-M1 040\*030 S05 G.M Schiene NK 55 St37  
 GS-M1 040\*030 S10 G.M Schiene NK 55 St37  
 GS-M1 040\*035 S05 G.M Schiene NK 55 St37  
 GS-M1 040\*035 S08 G.M Schiene NK 55 St37  
 GS-M1 040\*035 S10 G.M Schiene NK 55 St37  
 GS-M1 040\*040 S05 G.M Schiene NK 55 St37  
 GS-M1 040\*040 S08 G.M Schiene NK 55 St37  
 GS-M1 040\*040 S10 G.M Schiene NK 55 St37  
 GS-M1 040\*045 S08 G.M Schiene NK 55 St37  
 GS-M1 040\*045 S10 G.M Schiene NK 55 St37  
 GS-M1 040\*050 S10 G.M Schiene NK 55 St37  
 GS-M1 040\*060 S10 G.M Schiene NK 55 St37  
 GS-M1 045\*035 S10 G.M Schiene NK 55 St37  
 GS-M1 050\*007 S04 G.M Schiene NK 55 St37  
 GS-M1 050\*008 S03 G.M Schiene NK 55 St37  
 GS-M1 050\*008 S04 G.M Schiene NK 55 St37  
 GS-M1 050\*010 S05 G.M Schiene NK 55 St37  
 GS-M1 050\*015 S05 G.M Schiene NK 55 St37



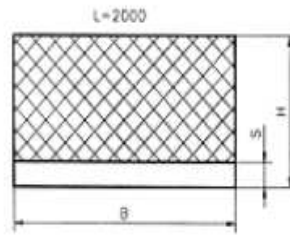
GS-M1 050\*015 S10 G.M Schiene NK 55 St37  
 GS-M1 050\*020 S05 G.M Schiene NK 55 St37  
 GS-M1 050\*020 S10 G.M Schiene NK 55 St37  
 GS-M1 050\*025 S02 G.M Schiene NK 55 St37  
 GS-M1 050\*025 S05 G.M Schiene NK 55 St37  
 GS-M1 050\*025 S10 G.M Schiene NK 55 St37  
 GS-M1 050\*025 S15 G.M Schiene NK 55 St37  
 GS-M1 050\*030 S05 G.M Schiene NK 55 St37  
 GS-M1 050\*030 S10 G.M Schiene NK 55 St37  
 GS-M1 050\*035 S05 G.M Schiene NK 55 St37  
 GS-M1 050\*035 S08 G.M Schiene NK 55 St37  
 GS-M1 050\*035 S10 G.M Schiene NK 55 St37  
 GS-M1 050\*035 S10 G.M Schiene NK 55 St37  
 GS-M1 050\*040 S05 G.M Schiene NK 55 St37  
 GS-M1 050\*040 S08 G.M Schiene NK 55 St37  
 GS-M1 050\*040 S10 G.M Schiene NK 55 St37  
 GS-M1 050\*045 S05 G.M Schiene NK 55 St37  
 GS-M1 050\*045 S10 G.M Schiene NK 55 St37  
 GS-M1 050\*050 S05 G.M Schiene NK 55 St37  
 GS-M1 050\*050 S10 G.M Schiene NK 55 St37  
 GS-M1 050\*055 S10 G.M Schiene NK 55 St37  
 GS-M1 050\*060 S05 G.M Schiene NK 55 St37  
 GS-M1 050\*060 S10 G.M Schiene NK 55 St37  
 GS-M1 050\*070 S05 G.M Schiene NK 55 St37  
 GS-M1 050\*070 S10 G.M Schiene NK 55 St37  
 GS-M1 055\*035 S10 G.M schiene NK 55 St37  
 GS-M1 060\*006 S03 G.M Schiene NK 55 St37  
 GS-M1 060\*008 S03 G.M Schiene NK 55 St37  
 GS-M1 060\*009 S03 G.M Schiene NK 55 St37  
 GS-M1 060\*010 S05 G.M Schiene NK 55 St37  
 GS-M1 060\*010 S10 G.M Schiene NK 55 St37  
 GS-M1 060\*012 S05 G.M Schiene NK 55 St37  
 GS-M1 060\*012 S06 G.M Schiene NK 55 St37  
 GS-M1 060\*015 S05 G.M Schiene NK 55 St37  
 GS-M1 060\*020 S05 G.M Schiene NK 55 St37  
 GS-M1 060\*020 S08 G.M Schiene NK 55 St37  
 GS-M1 060\*020 S10 G.M Schiene NK 55 St37  
 GS-M1 060\*025 S05 G.M Schiene NK 55 St37  
 GS-M1 060\*026 S10 G.M Schiene NK 55 St37  
 GS-M1 060\*030 S05 G.M Schiene NK 55 St37  
 GS-M1 060\*030 S06 G.M Schiene NK 55 St37  
 GS-M1 060\*030 S10 G.M Schiene NK 55 St37  
 GS-M1 060\*035 S05 G.M Schiene NK 55 St37  
 GS-M1 060\*035 S10 G.M Schiene NK 55 St37  
 GS-M1 060\*035 S15 G.M Schiene NK 55 St37  
 GS-M1 060\*040 S05 G.M Schiene NK 55 St37  
 GS-M1 060\*040 S08 G.M Schiene NK 55 St37  
 GS-M1 060\*040 S10 G.M Schiene NK 55 St37  
 GS-M1 060\*045 S10 G.M Schiene NK 55 St37  
 GS-M1 060\*050 S05 G.M Schiene NK 55 St37



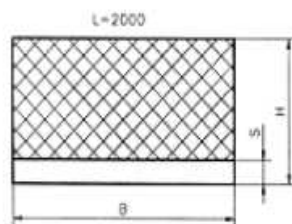
GS-M1 060\*050 S10 G.M Schiene NK 55 St37  
GS-M1 060\*055 S05 G.M Schiene NK 55 St37  
GS-M1 060\*060 S05 G.M Schiene NK 55 St37  
GS-M1 060\*060 S10 G.M Schiene NK 55 St37  
GS-M1 060\*060 S15 G.M Schiene NK 55 St37  
GS-M1 060\*070 S05 G.M Schiene NK 55 St37  
GS-M1 060\*070 S10 G.M Schiene NK 55 St37  
GS-M1 060\*080 S05 G.M Schiene NK 55 St37  
GS-M1 060\*080 S10 G.M Schiene NK 55 St37  
GS-M1 070\*008 S04 G.M Schiene NK 55 St37  
GS-M1 070\*020 S05 G.M Schiene NK 55 St37  
GS-M1 070\*030 S05 G.M Schiene NK 55 St37  
GS-M1 070\*030 S10 G.M Schiene NK 55 St37  
GS-M1 070\*030 S15 G.M Schiene NK 55 St37  
GS-M1 070\*035 S10 G.M Schiene NK 55 St37  
GS-M1 070\*040 S05 G.M Schiene NK 55 St37  
GS-M1 070\*040 S10 G.M Schiene NK 55 St37  
GS-M1 070\*040 S15 G.M Schiene NK 55 St37  
GS-M1 070\*045 S10 G.M Schiene NK 55 St37  
GS-M1 070\*050 S05 G.M Schiene NK 55 St37  
GS-M1 070\*050 S10 G.M Schiene NK 55 St37  
GS-M1 070\*050 S15 G.M Schiene NK 55 St37  
GS-M1 070\*055 S10 G.M Schiene NK 55 St37  
GS-M1 070\*060 S05 G.M Schiene NK 55 St37  
GS-M1 070\*060 S10 G.M Schiene NK 55 St37  
GS-M1 070\*070 S05 G.M Schiene NK 55 St37  
GS-M1 070\*070 S10 G.M Schiene NK 55 St37  
GS-M1 070\*080 S05 G.M Schiene NK 55 St37  
GS-M1 070\*080 S10 G.M Schiene NK 55 St37  
GS-M1 075\*040 S10 G.M Schiene NK 55 St37  
GS-M1 080\*008 S04 G.M Schiene NK 55 St37  
GS-M1 080\*010 S05 G.M Schiene NK 55 St37  
GS-M1 080\*020 S05 G.M Schiene NK 55 St37  
GS-M1 080\*020 S10 G.M Schiene NK 45 St37  
GS-M1 080\*020 S10 G.M Schiene NK 55 St37  
GS-M1 080\*025 S05 G.M Schiene NK 55 St37  
GS-M1 080\*025 S10 G.M Schiene NK 55 St37  
GS-M1 080\*035 S05 G.M Schiene NK 55 St37  
GS-M1 080\*040 S05 G.M Schiene NK 55 St37  
GS-M1 080\*040 S10 G.M Schiene NK 55 St37  
GS-M1 080\*045 S05 G.M Schiene NK 55 St37  
GS-M1 080\*045 S10 G.M Schiene NK 55 St37  
GS-M1 080\*050 S05 G.M Schiene NK 55 St37  
GS-M1 080\*050 S10 G.M Schiene NK 55 St37  
GS-M1 080\*050 S10 G.M Schiene NK 65 St37  
GS-M1 080\*060 S05 G.M Schiene NK 55 St37  
GS-M1 080\*060 S10 G.M Schiene NK 55 St37  
GS-M1 080\*060 S15 G.M Schiene NK 55 St37  
GS-M1 080\*070 S10 G.M Schiene NK 55 St37



GS-M1 080\*080 S05 G.M Schiene NK 55 St37  
 GS-M1 080\*080 S10 G.M Schiene NK 55 St37  
 GS-M1 090\*011 S05 G.M Schiene NK 55 St37  
 GS-M1 090\*025 S05 G.M Schiene NK 55 St37  
 GS-M1 090\*045 S10 G.M Schiene NK 55 St37  
 GS-M1 090\*045 S15 G.M Schiene NK 55 St37  
 GS-M1 090\*075 S20 G.M Schiene NK 55 St37  
 GS-M1 100\*008 S05 G.M Schiene NK 55 St37  
 GS-M1 100\*012 S05 G.M Schiene NK 55 St37  
 GS-M1 100\*015 S05 G.M Schiene NK 55 St37  
 GS-M1 100\*020 S05 G.M Schiene NK 55 St37  
 GS-M1 100\*020 S06 G.M Schiene NK 55 St37  
 GS-M1 100\*025 S05 G.M Schiene NK 55 St37  
 GS-M1 100\*025 S10 G.M Schiene NK 55 St37  
 GS-M1 100\*030 S05 G.M Schiene NK 55 St37  
 GS-M1 100\*030 S10 G.M Schiene NK 55 St37  
 GS-M1 100\*035 S10 G.M Schiene NK 55 St37  
 GS-M1 100\*035 S10 G.M Schiene NK 55 St37  
 GS-M1 100\*040 S05 G.M Schiene NK 55 St37  
 GS-M1 100\*040 S10 G.M Schiene NK 55 St37  
 GS-M1 100\*040 S15 G.M Schiene NK 55 St37  
 GS-M1 100\*045 S05 G.M Schiene NK 55 St37  
 GS-M1 100\*045 S10 G.M Schiene NK 55 St37  
 GS-M1 100\*045 S15 G.M Schiene NK 55 St37  
 GS-M1 100\*050 S10 G.M Schiene NK 55 St37  
 GS-M1 100\*050 S15 G.M Schiene NK 55 St37  
 GS-M1 100\*055 S10 G.M Schiene NK 55 St37  
 GS-M1 100\*055 S15 G.M Schiene NK 55 St37  
 GS-M1 100\*060 S10 G.M Schiene NK 55 St37  
 GS-M1 100\*060 S15 G.M Schiene NK 55 St37  
 GS-M1 100\*065 S15 G.M Schiene NK 55 St37  
 GS-M1 100\*070 S10 G.M Schiene NK 55 St37  
 GS-M1 100\*070 S15 G.M Schiene NK 55 St37  
 GS-M1 100\*080 S05 G.M Schiene NK 55 St37  
 GS-M1 100\*080 S10 G.M Schiene NK 55 St37  
 GS-M1 100\*080 S15 G.M Schiene NK 55 St37  
 GS-M1 100\*090 S10 G.M Schiene NK 55 St37  
 GS-M1 100\*090 S15 G.M Schiene NK 55 St37  
 GS-M1 100\*100 S10 G.M Schiene NK 55 St37  
 GS-M1 100\*100 S15 G.M Schiene NK 55 St37  
 GS-M1 120\*023 S08 G.M Schiene NK 55 St37  
 GS-M1 120\*040 S10 G.M Schiene NK 55 St37  
 GS-M1 120\*045 S10 G.M Schiene NK 55 St37  
 GS-M1 120\*045 S15 G.M Schiene NK 55 St37  
 GS-M1 120\*050 S10 G.M Schiene NK 55 St37  
 GS-M1 120\*050 S15 G.M Schiene NK 55 St37  
 GS-M1 120\*060 S10 G.M Schiene NK 55 St37  
 GS-M1 120\*060 S15 G.M Schiene NK 55 St37  
 GS-M1 120\*070 S10 G.M Schiene NK 55 St37  
 GS-M1 120\*070 S15 G.M Schiene NK 55 St37

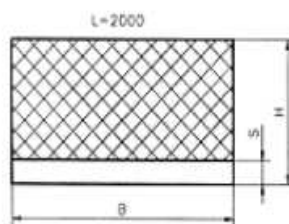


GS-M1 120\*080 S10 G.M Schiene NK 55 St37  
 GS-M1 120\*080 S15 G.M Schiene NK 55 St37  
 GS-M1 140\*035 S05 G.M Schiene NK 55 St37  
 GS-M1 140\*045 S10 G.M Schiene NK 55 St37  
 GS-M1 150\*011 S05 G.M Schiene NK 55 St37  
 GS-M1 150\*020 S10 G.M Schiene NK 55 St37  
 GS-M1 150\*030 S10 G.M Schiene NK 55 St37  
 GS-M1 150\*040 S10 G.M Schiene NK 55 St37  
 GS-M1 150\*040 S15 G.M Schiene NK 55 St37  
 GS-M1 150\*050 S10 G.M Schiene NK 55 St37  
 GS-M1 150\*050 S15 G.M Schiene NK 55 St37  
 GS-M1 150\*060 S10 G.M Schiene NK 55 St37  
 GS-M1 150\*060 S15 G.M Schiene NK 55 St37  
 GS-M1 150\*070 S10 G.M Schiene NK 55 St37  
 GS-M1 150\*070 S15 G.M Schiene NK 55 St37  
 GS-M1 150\*080 S10 G.M Schiene NK 55 St37  
 GS-M1 150\*080 S15 G.M Schiene NK 55 St37  
 GS-M1 150\*090 S10 G.M Schiene NK 55 St37  
 GS-M1 150\*090 S15 G.M Schiene NK 55 St37  
 GS-M1 150\*100 S10 G.M Schiene NK 55 St37  
 GS-M1 150\*100 S15 G.M Schiene NK 55 St37  
 GS-M1 150\*100 S20 G.M Schiene NK 55 St37  
 GS-M1 200\*020 S5 G.M Schiene NK 55 St37  
 GS-M1 200\*030 S10 G.M Schiene NK 55 St37  
 GS-M1 200\*035 S15 G.M Schiene NK 55 St37  
 GS-M1 200\*060 S10 G.M Schiene NK 55 St37  
 GS-M1 200\*060 S15 G.M Schiene NK 55 St37  
 GS-M1 200\*070 S10 G.M Schiene NK 55 St37  
 GS-M1 200\*080 S10 G.M Schiene NK 55 St37  
 GS-M1 200\*080 S15 G.M Schiene NK 55 St37  
 GS-M1 200\*100 S10 G.M Schiene NK 55 St37  
 GS-M1 200\*100 S15 G.M Schiene NK 55 St37  
 GS-M1 200\*100 S15 G.M Schiene NK 70 St37  
 GS-M1 250\*025 S05 G.M Schiene NK 60 St37  
 GS-M2 020\*015 S05 G.M Schiene NK 55 St37  
 GS-M2 020\*025 S05 G.M Schiene NK 55 St37  
 GS-M2 020\*025 S10 G.M Schiene NK 55 St37  
 GS-M2 020\*030 S05 G.M Schiene NK 55 St37  
 GS-M2 025\*020 S05 G.M Schiene NK 55 St37  
 GS-M2 025\*025 S05 G.M Schiene NK 55 St37  
 GS-M2 025\*025 S10 G.M Schiene NK 55 St37  
 GS-M2 025\*030 S05 G.M Schiene NK 55 St37  
 GS-M2 025\*030 S10 G.M Schiene NK 55 St37  
 GS-M2 030\*010 S03 G.M Schiene NK 55 St37  
 GS-M2 030\*020 S05 G.M Schiene NK 55 St37  
 GS-M2 030\*025 S04 G.M Schiene NK 55 St37  
 GS-M2 030\*025 S05 G.M Schiene NK 55 St37  
 GS-M2 030\*030 S05 G.M Schiene NK 55 St37  
 GS-M2 030\*030 S08 G.M Schiene NK 55 St37  
 GS-M2 030\*030 S10 G.M Schiene NK 55 St37

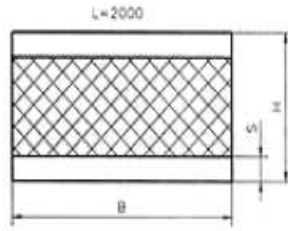




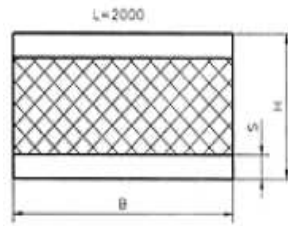
GS-M2 030\*035 S05 G.M Schiene NK 55 St37  
 GS-M2 035\*035 S08 G.M Schiene NK 55 St37  
 GS-M2 035\*050 S10 G.M Schiene NK 55 St37  
 GS-M2 040\*015 S03 G.M Schiene NK 55 St37  
 GS-M2 040\*018 S05 G.M Schiene NK 55 ST 37  
 GS-M2 040\*020 S05 G.M Schiene NK 55 St37  
 GS-M2 040\*025 S05 G.M Schiene NK 55 St37  
 GS-M2 040\*030 S05 G.M Schiene NK 55 St37  
 GS-M2 040\*030 S10 G.M Schiene NK 55 St37  
 GS-M2 040\*035 S05 G.M Schiene NK 55 St37  
 GS-M2 040\*035 S08 G.M Schiene NK 55 St37  
 GS-M2 040\*035 S08 G.M Schiene NK 55 ST 37  
 GS-M2 040\*035 S10 G.M Schiene NK 55 St37  
 GS-M2 040\*040 S05 G.M Schiene NK 55 St37  
 GS-M2 040\*040 S10 G.M Schiene NK 55 St37  
 GS-M2 040\*045 S10 G.M Schiene NK 55 St37  
 GS-M2 040\*045 S15 G.M Schiene NK 55 St37  
 GS-M2 040\*050 S10 G.M Schiene NK 55 St37  
 GS-M2 045\*035 S10 G.M Schiene NK 55 St37  
 GS-M2 050\*020 S05 G.M Schiene NK 55 St37  
 GS-M2 050\*025 S05 G.M Schiene NK 55 St37  
 GS-M2 050\*025 S10 G.M Schiene NK 55 St37  
 GS-M2 050\*030 S03 G.M Schiene NK 55 St37  
 GS-M2 050\*030 S05 G.M Schiene NK 55 St37  
 GS-M2 050\*030 S08 G.M Schiene NK 55 St37  
 GS-M2 050\*030 S10 G.M Schiene NK 55 St37  
 GS-M2 050\*032 S10 G.M Schiene NK 55 St37  
 GS-M2 050\*035 S05 G.M Schiene NK 55 St37  
 GS-M2 050\*035 S10 G.M Schiene NK 55 St37  
 GS-M2 050\*040 S05 G.M Schiene NK 55 St37  
 GS-M2 050\*040 S06 G.M Schiene NK 55 St37  
 GS-M2 050\*040 S10 G.M Schiene NK 55 St37  
 GS-M2 050\*045 S05 G.M Schiene NK 55 St37  
 GS-M2 050\*045 S10 G.M Schiene NK 55 St37  
 GS-M2 050\*045 S15 G.M Schiene NK 55 St37  
 GS-M2 050\*050 S05 G.M Schiene NK 55 St37  
 GS-M2 050\*050 S10 G.M Schiene NK 55 St37  
 GS-M2 050\*050 S12 G.M Schiene NK 55 St37  
 GS-M2 050\*050 S15 G.M Schiene NK 55 St37  
 GS-M2 050\*055 S10 G.M Schiene NK 55 St37  
 GS-M2 050\*060 S05 G.M Schiene NK 55 St37  
 GS-M2 050\*060 S10 G.M Schiene NK 55 St37  
 GS-M2 050\*060 S15 G.M Schiene NK 55 St37  
 GS-M2 050\*070 S05 G.M Schiene NK 55 St37  
 GS-M2 050\*070 S10 G.M Schiene NK 55 St37  
 GS-M2 050\*070 S15 G.M Schiene NK 55 St37  
 GS-M2 055\*050 S10 G.M Schiene NK 55 St37  
 GS-M2 060\*020 S05 G.M Schiene NK 55 St37  
 GS-M2 060\*030 S05 G.M Schiene NK 55 St37  
 GS-M2 060\*030 S10 G.M Schiene NK 55 St37



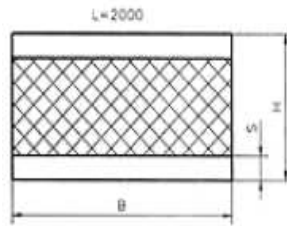
GS-M2 060\*035 S05 G.M Schiene NK 55 St37  
 GS-M2 060\*035 S10 G.M Schiene NK 55 St37  
 GS-M2 060\*040 S05 G.M Schiene NK 55 St37  
 GS-M2 060\*040 S06 G.M Schiene NK 55 St37  
 GS-M2 060\*040 S10 G.M Schiene NK 55 St37  
 GS-M2 060\*045 S10 G.M Schiene NK 55 St37  
 GS-M2 060\*050 S05 G.M Schiene NK 55 St37  
 GS-M2 060\*050 S10 G.M Schiene NK 55 St37  
 GS-M2 060\*055 S10 G.M Schiene NK 55 St37  
 GS-M2 060\*060 S05 G.M Schiene NK 55 St37  
 GS-M2 060\*060 S10 G.M Schiene NK 50 St37  
 GS-M2 060\*060 S10 G.M Schiene NK 55 St37  
 GS-M2 060\*060 S15 G.M Schiene NK 55 St37  
 GS-M2 060\*070 S05 G.M Schiene NK 55 St37  
 GS-M2 060\*070 S10 G.M Schiene NK 55 St37  
 GS-M2 060\*080 S05 G.M Schiene NK 55 St37  
 GS-M2 060\*080 S10 G.M Schiene NK 55 St37  
 GS-M2 070\*025 S05 G.M Schiene NK 55 St37  
 GS-M2 070\*030 S05 G.M Schiene NK 55 St37  
 GS-M2 070\*030 S10 G.M Schiene NK 55 St37  
 GS-M2 070\*035 S10 G.M Schiene NK 55 St37  
 GS-M2 070\*040 S05 G.M Schiene NK 55 St37  
 GS-M2 070\*040 S10 G.M Schiene NK 55 St37  
 GS-M2 070\*045 S10 G.M Schiene NK 55 St37  
 GS-M2 070\*045 S08 G.M Schiene NK 55 St 37  
 GS-M2 070\*050 S05 G.M Schiene NK 55 St37  
 GS-M2 070\*050 S10 G.M Schiene NK 55 St37  
 GS-M2 070\*055 S10 G.M Schiene NK 55 St37  
 GS-M2 070\*060 S05 G.M Schiene NK 55 St37  
 GS-M2 070\*060 S10 G.M Schiene NK 55 St37  
 GS-M2 070\*060 S15 G.M Schiene NK 55 St37  
 GS-M2 070\*065 S10 G.M Schiene NK 55 St37  
 GS-M2 070\*070 S05 G.M Schiene NK 55 St37  
 GS-M2 070\*070 S10 G.M Schiene NK 55 St37  
 GS-M2 070\*080 S05 G.M Schiene NK 55 St37  
 GS-M2 070\*080 S10 G.M Schiene NK 55 St37  
 GS-M2 070\*080 S15 G.M Schiene NK 55 St37  
 GS-M2 075\*015 S03 G.M Schiene NK 55 St37  
 GS-M2 075\*040 S05 G.M Schiene NK 55 St37  
 GS-M2 075\*040 S10 G.M Schiene NK 55 St37  
 GS-M2 075\*055 S10 G.M Schiene NK 55 St37  
 GS-M2 075\*075 S10 G.M Schiene NK 55 St37  
 GS-M2 080\*030 S10 G.M Schiene NK 55 St37  
 GS-M2 080\*035 S5 G.M Schiene NK 55 St37  
 GS-M2 080\*040 S05 G.M Schiene NK 55 St37  
 GS-M2 080\*040 S10 G.M Schiene NK 55 St37  
 GS-M2 080\*045 S05 G.M Schiene NK 55 St37  
 GS-M2 080\*045 S10 G.M Schiene NK 55 St37  
 GS-M2 080\*045 S15 G.M Schiene NK 55 St37  
 GS-M2 080\*050 S10 G.M Schiene NK 55 St37



GS-M2 080\*050 S15 G.M Schiene NK 55 St37  
 GS-M2 080\*055 S10 G.M Schiene NK 55 St37  
 GS-M2 080\*060 S05 G.M Schiene NK 55 St37  
 GS-M2 080\*060 S10 G.M Schiene NK 55 St37  
 GS-M2 080\*060 S15 G.M Schiene NK 55 St37  
 GS-M2 080\*070 S10 G.M Schiene NK 55 St37  
 GS-M2 080\*080 S05 G.M Schiene NK 55 St37  
 GS-M2 080\*080 S10 G.M Schiene NK 55 St37  
 GS-M2 090\*045 S10 G.M Schiene NK 55 St37  
 GS-M2 090\*045 S15 G.M Schiene NK 55 St37  
 GS-M2 090\*050s10 G.M Schiene NK 55 St37  
 GS-M2 100\*015 S05 G.M Schiene NK 55 St37  
 GS-M2 100\*020 S05 G.M Schiene NK 55 St37  
 GS-M2 100\*030 S10 G.M Schiene NK 55 St37  
 GS-M2 100\*040 S05 G.M Schiene NK 55 St37  
 GS-M2 100\*040 S08 G.M Schiene NK 55 St37  
 GS-M2 100\*040 S10 G.M Schiene NK 55 St37  
 GS-M2 100\*040 S15 G.M Schiene NK 55 St37  
 GS-M2 100\*045 S10 G.M Schiene NK 55 St37  
 GS-M2 100\*045 S15 G.M Schiene NK 55 St37  
 GS-M2 100\*050 S10 G.M Schiene NK 55 St37  
 GS-M2 100\*050 S15 G.M Schiene NK 55 St37  
 GS-M2 100\*055 S15 G.M Schiene NK 55 St37  
 GS-M2 100\*060 S08 G.M Schiene NK 55 St37  
 GS-M2 100\*060 S10 G.M Schiene NK 55 St37  
 GS-M2 100\*060 S15 G.M Schiene NK 55 St37  
 GS-M2 100\*065 S15 G.M Schiene NK 55 St37  
 GS-M2 100\*070 S10 G.M Schiene NK 55 St37  
 GS-M2 100\*070 S15 G.M Schiene NK 55 St37  
 GS-M2 100\*075 S15 G.M Schiene NK 55 St37  
 GS-M2 100\*080 S10 G.M Schiene NK 55 St37  
 GS-M2 100\*080 S15 G.M Schiene NK 55 St37  
 GS-M2 100\*090 S10 G.M Schiene NK 55 St37  
 GS-M2 100\*090 S15 G.M Schiene NK 55 St37  
 GS-M2 100\*100 S10 G.M Schiene NK 55 St37  
 GS-M2 100\*100 S15 G.M Schiene NK 55 St37  
 GS-M2 110\*040 S15 G.M Schiene NK 55 St37  
 GS-M2 110\*045 S10 G.M Schiene NK 55 St37  
 GS-M2 110\*050 S10 G.M Schiene NK 55 St37  
 GS-M2 110\*100 S15 G.M Schiene NK 55 St37  
 GS-M2 120\*040 S 10 G.M Schiene NK 55 St37  
 GS-M2 120\*045 S10 G.M Schiene NK 55 St37  
 GS-M2 120\*045 S15 G.M Schiene NK 55 St37  
 GS-M2 120\*050 S10 G.M Schiene NK 55 St37  
 GS-M2 120\*050 S15 G.M Schiene NK 55 St37  
 GS-M2 120\*060 S05 G.M Schiene NK 55 St37  
 GS-M2 120\*060 S10 G.M Schiene NK 55 St37  
 GS-M2 120\*060 S15 G.M Schiene NK 55 St37  
 GS-M2 120\*070 S10 G.M Schiene NK 55 St37  
 GS-M2 120\*070 S15 G.M Schiene NK 55 St37



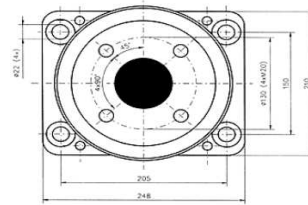
GS-M2 120\*080 S10 G.M Schiene NK 55 St37  
 GS-M2 120\*080 S15 G.M Schiene NK 55 St37  
 GS-M2 120\*100 S15 G.M Schiene NK 55 St37  
 GS-M2 120\*040 S10 G.M Schiene NK 55 St37  
 GS-M2 150\*040 S10 G.M Schiene NK 55 St37  
 GS-M2 150\*040 S15 G.M Schiene NK 55 St37  
 GS-M2 150\*050 S10 G.M Schiene NK 55 St37  
 GS-M2 150\*050 S15 G.M Schiene NK 55 St37  
 GS-M2 150\*060 S10 G.M Schiene NK 55 St37  
 GS-M2 150\*060 S15 G.M Schiene NK 55 St37  
 GS-M2 150\*065 S15 G.M Schiene NK 55 St37  
 GS-M2 150\*070 S10 G.M Schiene NK 55 St37  
 GS-M2 150\*070 S15 G.M Schiene NK 55 St37  
 GS-M2 150\*075 S15 G.M Schiene NK 55 St37  
 GS-M2 150\*080 S10 G.M Schiene NK 55 St37  
 GS-M2 150\*080 S15 G.M Schiene NK 55 St37  
 GS-M2 150\*090 S10 G.M Schiene NK 55 St37  
 GS-M2 150\*090 S15 G.M Schiene NK 55 St37  
 GS-M2 150\*100 S10 G.M Schiene NK 55 St37  
 GS-M2 150\*100 S15 G.M Schiene NK 55 St37  
 GS-M2 160\*080 S15 G.M Schiene NK 55 St37  
 GS-M2 200\*030 S10 G.M Schiene NK 55 St37  
 GS-M2 200\*060 S10 G.M Schiene NK 55 St37  
 GS-M2 200\*060 S15 G.M Schiene NK 55 St37  
 GS-M2 200\*065 S15 G.M Schiene NK 55 St37  
 GS-M2 200\*070 S15 G.M Schiene NK 55 St37  
 GS-M2 200\*080 S10 G.M Schiene NK 55 St37  
 GS-M2 200\*080 S15 G.M Schiene NK 55 St37  
 GS-M2 200\*090 S15 G.M Schiene NK 55 St37  
 GS-M2 200\*100 S10 G.M Schiene NK 55 St37  
 GS-M2 200\*100 S15 G.M Schiene NK 55 St37  
 GS-M2 200\*110 S15 G.M Schiene NK 55 St37  
 GS-M2 250\*100 S20 G.M Schiene NK 55 St37



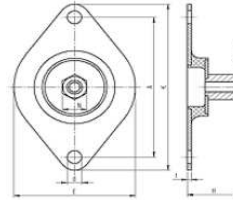
Hardy-01 80/10-4 NK 55 St37  
 Hardy-02 67/12-6 NK 55 St37  
 Hardy-03 110/16-6 NK 55 St37  
 Hardy-04 130/16-8 NK 55 St37  
 Hardy-05 100/17-8 NK 55 St37  
 Hardy-06 126/17-8 NK 55 St37  
 Hardy-07 140/27-6 NK 55 St37  
 Hardy-08 150/20-6 NK 55 St37  
 Hardy-09 165/28-6 NK 55 St37  
 Hardy-10 230/30-6 NK 55 St37  
 Hardy-11 230/35-6 NK 55 St37  
 Hardy-12 106/21-4 NK 55 St37  
 Hardy-13 130/25-6 NK 55 St37



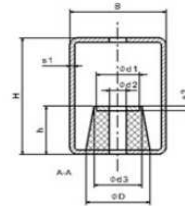
HD 248\*210\*177 G.Puffer NK 60 AL



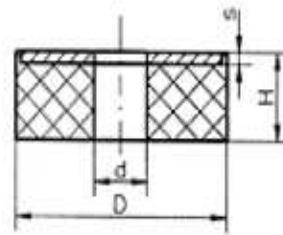
HNG-L 114\*33 M8 Mounting NK 55 St37  
HNG-U 114\*33 M8 Mounting NK 55 St37



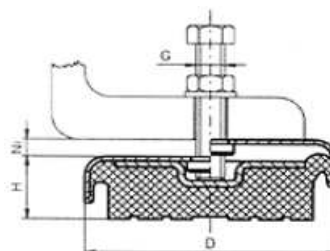
HNG-S1 Hanging damper 40/60/45-8,5 NK 55+/-5 St37  
HNG-S2 Hanging damper 60/80/55-10,5 NK 55+/-5 St37  
HNG-S3 Hanging damper 80/100/70-12,5 NK 55+/-5 St37



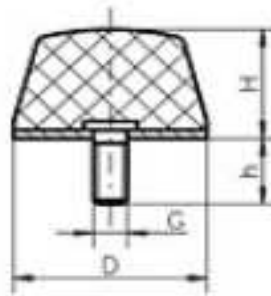
IS 040/10-10 Isolierscheibe NK 55 St37  
IS 040/13-16 Isolierscheibe NK 55 St 37  
IS 040/13-20 Isolierscheibe NK 55 St 37  
IS 060/20-20 S03 Isolierscheibe NK 55 St37  
IS 060/20-28 S2 Isolierscheibe NK 55 St37  
IS 060/21-50 Isolierscheibe NK 55 St37  
IS 062/14-6 Isolierscheibe NK 55 St37  
IS 080/21-30 Isolierscheibe NK 55 St37  
IS 080/32-15 Isolierscheibe NK 55 St37  
IS 100/21-30 Isolierscheibe NK 55 St37  
IS 100/21-40 Isolierscheibe NK 55 St37  
IS 100/25-40 Isolierscheibe NK 55 St37  
IS 100/33-75-30 Isolierscheibe NK 55 St37  
IS 100/56-19 Isolierscheibe NK 55 St37  
IS 100/60-30 Isolierscheibe NK 55 St37  
IS 120/21-30 Isolierscheibe NK 55 St37  
IS 120/25-40 Isolierscheibe NK 55 St37  
IS 150/32-40 Isolierscheibe NK 55 St37  
IS 150/32-40 Isolierscheibe NK 55 St37



KA-01 80 Maschinenfuss M10 NK 55 St37  
KA-01 80 Maschinenfuss M12 NK 55 St37  
KA-015 120 Maschinenfuss M12 NK 55 St37  
KA-015 120 Maschinenfuss M16 NK 55 St37  
KA-02 150 Maschinenfuss M12 NK 55 St37  
KA-02 150 Maschinenfuss M16 NK 55 St37  
KA-03 200 Maschinenfuss M20 NK 55 St37  
KA-090 90 Maschinenfuss M12 NK 55 St37

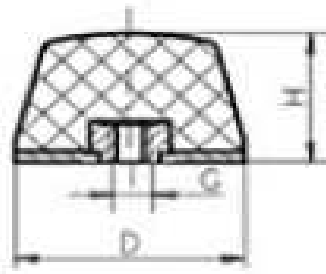


KD-4 050/50 Anchl.puffer M10\*26 NK 55 St37  
 KD-4 012/12 Anchl.puffer M4\*10 NK 55 St37  
 KD-4 012/12 Anchl.puffer M4\*6 NK 55 St37  
 KD-4 012/12 Anchl.puffer M5\*10 NK 55 St37  
 KD-4 012/12 Anchl.puffer M8\*40 NK 55 St37  
 KD-4 014/6,3 Anchl.puffer M4\*4 NK 55 St37  
 KD-4 015/09 Anchl.puffer M5\*12 NK 55 St37  
 KD-4 015/10 Anchl.puffer M4\*10 NK 55 St37  
 KD-4 015/12 Anchl.puffer M5\*12 NK 55 St37  
 KD-4 015/12 Anchl.puffer M6\*28 NK 55 St37  
 KD-4 020/14 Anchl.puffer M6\*18 NK 55 St37  
 KD-4 020/16 Anchl.puffer M6\*18 NK 55 St37  
 KD-4 020/16 Anchl.puffer M8\*15 NK 55 St37  
 KD-4 020/17 Anchl.puffer M6\*18 NK 55 St37  
 KD-4 022/08 Anchl.puffer M5\*10 NK 55 St37  
 KD-4 022/08 Anchl.puffer M6\*18 NK 55 St37  
 KD-4 022/12 Anchl.puffer M5\*10 NK 55 St37  
 KD-4 022/12 Anchl.puffer M6\*18 NK 55 St37  
 KD-4 025/12 Anchl.puffer M6\*18 NK 55 St37  
 KD-4 025/12 Anchl.puffer M8\*10 NK 55 St37  
 KD-4 025/14 Anchl.puffer M4\*10 NK 55 St37  
 KD-4 025/14 Anchl.puffer M6\*18 NK 55 St37  
 KD-4 025/17 Anchl.puffer M12\*33 NK 55 St37  
 KD-4 025/17 Anchl.puffer M12\*53 NK 55 St37  
 KD-4 025/17 Anchl.puffer M4\*10 NK 55 St37  
 KD-4 025/17 Anchl.puffer M6\*10 NK 55 St37  
 KD-4 025/17 Anchl.puffer M6\*18 NK 55 St37  
 KD-4 025/17 Anchl.puffer M8\*20 NK 55 St37  
 KD-4 025/17 Anchl.puffer M8\*30 NK 55 St37  
 KD-4 032/22 Anchl.puffer M8\*23 NK 55 St37  
 KD-4 035/40 Ballig Anchl.puffer M8\*23 NK 55 St37  
 KD-4 038/35 Anchl.puffer M10\*28 NK 55 St37  
 KD-4 043/35 Anchl.puffer M10\*28 NK 55 St37  
 KD-4 043/50 Anchl.puffer M10\*28 NK 55 St37  
 KD-4 045/21 Anchl.puffer M8\*20 NK 55 St37  
 KD-4 045/21 Anchl.puffer M8\*46 NK 55 St37  
 KD-4 050/18 Anchl.puffer M10\*28 NK 55 St37  
 KD-4 050/18 Anchl.puffer M8\*23 NK 55 St37  
 KD-4 050/20 Anchl.puffer M10\*28 NK 55 St37  
 KD-4 050/20 Anchl.puffer M8\*28 NK 55 St37  
 KD-4 050/20 Q Anchl.puffer M10\*28 NK 55 St37  
 KD-4 050/50 Anchl.puffer M10\*28 NK 55 St37  
 KD-4 060/40 Anchl.puffer M10\*28 NK 55 St37  
 KD-4 070/35 Anchl.puffer M12\*37 NK 55 St37  
 KD-4 080/27 Q Anchl.puffer M12\*37 NK 55 St37  
 KD-4 080/27 Q Anchl.puffer M14\*50 NK 55 St37  
 KD-4 080/30 Q Anchl.puffer M12\*37 NK 55 St37  
 KD-4 125/45 Anchl.puffer M16\*41 NK 55 St37  
 KD-4 125/45 Anchl.puffer M16\*45 NK 55 St37  
 KD-4 125/45 Anchl.puffer M16\*50 NK 55 St37

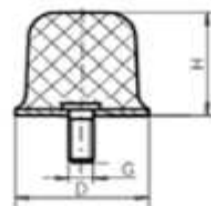




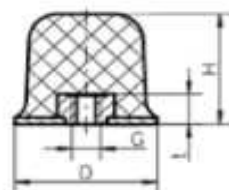
KD-5 050/50 Anchl.puffer M10 NK 55 St37  
 KD-5 012/12 Anchl.puffer M4 NK 55 St37  
 KD-5 012/12 Anchl.puffer M5 NK 55 St37  
 KD-5 014/6,3 Anchl.puffer M4 NK 55 St37  
 KD-5 015/10 Anchl.puffer M4 NK 55 St37  
 KD-5 015/12 Anchl.puffer M5 NK 55 St37  
 KD-5 015/12 Anchl.puffer M6 NK 55 St37  
 KD-5 020/14 Anchl.puffer M6 NK 55 St37  
 KD-5 020/16 Anchl.puffer M6 NK 55 St37  
 KD-5 020/17 Anchl.puffer M6 NK 55 St37  
 KD-5 022/12 Anchl.puffer M6 NK 55 St37  
 KD-5 025/12 Anchl.puffer M6 NK 55 St37  
 KD-5 025/14 Anchl.puffer M4 NK 55 St37  
 KD-5 025/17 Anchl.puffer M6 NK 55 St37  
 KD-5 025/17 Anchl.puffer M8 NK 55 St37  
 KD-5 032/22 Anchl.puffer M8 NK 55 St37  
 KD-5 035/40 Ballig Anchl.puffer M8 NK 55 St37  
 KD-5 038/35 Anchl.puffer M10 NK 55 St37  
 KD-5 043/35 Anchl.puffer M10 NK 55 St37  
 KD-5 043/50 Anchl.puffer M10 NK 55 St37  
 KD-5 045/21 Anchl.puffer M5 NK 55 St37  
 KD-5 045/21 Anchl.puffer M8 NK 45 St37  
 KD-5 045/21 Anchl.puffer M8 NK 55 St37  
 KD-5 050/18 Anchl.puffer M10 NK 55 St37  
 KD-5 050/50 Anchl.puffer M10 NK 55 St37  
 KD-5 060/40 Anchl.puffer M10 NK 55 St37  
 KD-5 070/25 Anchl.puffer M10 NK 55 St37  
 KD-5 080/27 Q Anchl.puffer M12 NK 55 St37  
 KD-5 080/30 Q Anchl.puffer M12 NK 55 St37  
 KD-5 125/45 Anchl.puffer M16 NK 55 St37  
 KD-5 50/50 Anchl.puffer M10 NK 55 St37  
 KD-5 025/12 Anchl.puffer M6 NK 55 St37



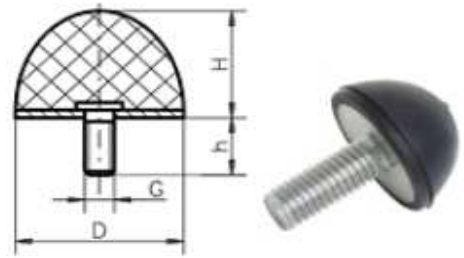
KE-4 050/35 Anchl.puffer M10\*28 NK 55 St37  
 KE-4 080/60 Anchl.puffer M12\*37 NK 55 St37  
 KE-4 125/90 Anchl.puffer M16\*41 NK 55 St37



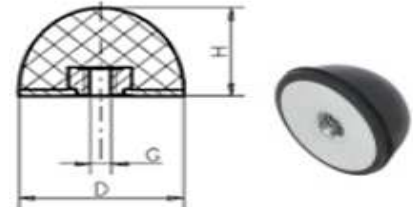
KE-5 050/35 Anchl.puffer M10 NK 55 St37  
 KE-5 080/60 Anchl.puffer M12 NK 55 St37  
 KE-5 125/90 Anchl.puffer M16 NK 55 St37



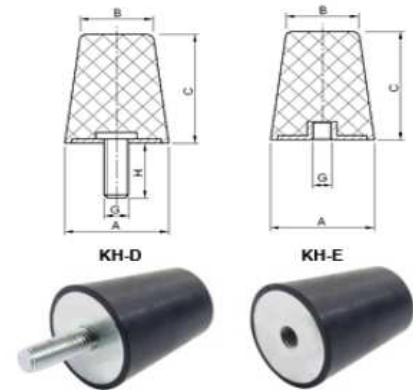
KG-4 25/13 Anchl.puffer M6\*18 NK 55 St37  
 KG-4 25/15 Anchl.puffer M10\*28 NK 55 St37  
 KG-4 25/15 Anchl.puffer M5\*18 NK 55 St37  
 KG-4 25/15 Anchl.puffer M6\*18 NK 55 St37  
 KG-4 25/15 Anchl.puffer M8\*28 NK 55 St37  
 KG-4 30/26 Anchl.puffer M8\*20 NK 55 St37  
 KG-4 30/26 Anchl.puffer M8\*48 NK 55 St37  
 KG-4 50/30 Anchl.puffer M8\*28 NK 55 St37



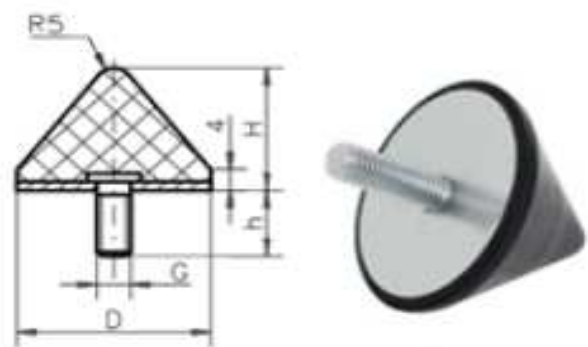
KG-5 25/13 Anchl.puffer M6 NK 55 St37  
 KG-5 25/15 Anchl.puffer M6 NK 55 St37  
 KG-5 30/26 Anchl.puffer M8 NK55 St37  
 KG-5 50/30 Anchl.puffer M8 NK 55 St37



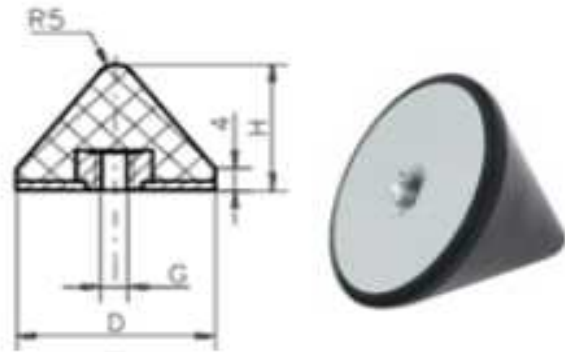
KH-1D 43/30\*50 Halb-Konus M10\*15 NK 55 St37  
 KH-1D 43/30\*50 Halb-Konus M10\*25 NK 55 St37  
 KH-1D 43/30\*50 Halb-Konus M12\*48 NK 55 St37  
 KH-1E 43/30\*35 Halb-Konus M10 NK 55 St37 \*\*\*  
 KH-1E 43/30\*50 Halb-Konus M10 NK 55 St37  
 KH-2D 43/30\*35 Halb-Konus M10\*27 NK 55 St37  
 KH-2E 43/30\*35 Halb-Konus M10 NK 55 St37  
 KH-3D 38/30\*35 Halb-Konus M10\*27 NK 55 St37  
 KH-3E 38/30\*35 Halb-Konus M10 NK 55 St37  
 KH-4 RUB 7/8\*15 Halb-Konus M4\*10 NK 55 St37  
 KH-4D 63/57,5-50 S=4 Halb-Konus M 10\*31 NK 55 St37  
 KH-4E 63/57,5-50 S=4 Halb-Konus M 10 NK 55 St37



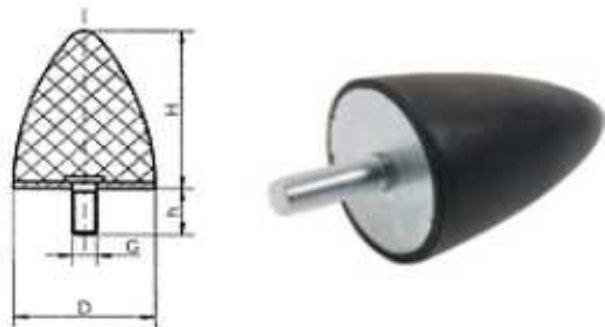
KK-4 20/20 Anchl.puffer M6\*18 NK 55 St37  
 KK-4 24/17 Anchl.puffer M6\*18 NK 55 St37  
 KK-4 24/17 Anchl.puffer M8\*20 NK 55 St37  
 KK-4 25/16 Anchl.puffer M6\*18 NK 55 St37  
 KK-4 25/16 Anchl.puffer M8\*20 NK 55 St37  
 KK-4 25/18 Anchl.puffer M8\*25 NK 55 St37  
 KK-4 35/17 Anchl.puffer M8\*25 NK 55 St37  
 KK-4 40/24 Anchl.puffer M8\*28 NK 55 St37  
 KK-4 40/30 Anchl.puffer M8\*28 NK 55 St37  
 KK-4 50/28 Anchl.puffer M8\*28 NK 55 St37  
 KK-4 50/45 Anchl.puffer M10\*35 NK 55 St37  
 KK-4 60/45 Anchl.puffer M10\*28 NK 55 St37  
 KK-4 85/65 Anchl.puffer M12\*37 NK 55 St37  
 KK-4 85/65 Anchl.puffer M12\*57 NK 55 St37



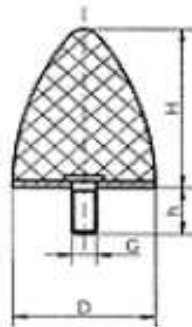
KK-5 20/20 Anchl.puffer M6 NK 55 St37  
 KK-5 24/17 Anchl.puffer M8 NK 55 St37  
 KK-5 25/16 Anchl.puffer M6 NK 55 St37  
 KK-5 25/16 Anchl.puffer M8 NK 55 St37  
 KK-5 25/18 Anchl.puffer M8 NK 55 St37  
 KK-5 35/17 Anchl.puffer M8 NK 55 St37  
 KK-5 40/24 Anchl.puffer M8 NK 55 St37  
 KK-5 40/30 Anchl.puffer M8 NK 55 St37  
 KK-5 50/28 Anchl.puffer M8 NK 55 St37  
 KK-5 50/45 Anchl.puffer M10 NK 55 St37  
 KK-5 60/45 Anchl.puffer M10 NK 55 St37  
 KK-5 85/65 Anchl.puffer M12 NK 55 St37



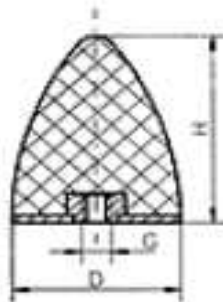
KP-D 010/10 Parabelpuffer M3\*10 NK 55 St37  
 KP-D 010/10 Parabelpuffer M4\*10 NK 55 St37  
 KP-D 010/10 Parabelpuffer M5\*12 NK 55 St37  
 KP-D 015/12 Parabelpuffer M 6\*20 NK 55 St37  
 KP-D 015/12 Parabelpuffer M4\*10 NK 55 St37  
 KP-D 015/12 Parabelpuffer M6\*18 NK 55 St37  
 KP-D 015/15 Parabelpuffer M4\*10 NK 55 St37  
 KP-D 015/15 Parabelpuffer M4\*12 NK 55 St37  
 KP-D 015/22 Parabelpuffer M 6x18 NK 55 St37  
 KP-D 020/15 Parabelpuffer M5\*10 NK 55 St37  
 KP-D 020/15 Parabelpuffer M6\*18 NK 55 St37  
 KP-D 020/20 Parabelpuffer M6\*18 NK 55 St37  
 KP-D 020/20 Parabelpuffer M8\*20 NK 55 St37  
 KP-D 020/24 Parabelpuffer M4\*15 NK 55 St37  
 KP-D 020/24 Parabelpuffer M6\*18 NK 55 St37  
 KP-D 020/24 Parabelpuffer M8\*20 NK 55 St37  
 KP-D 025/16 Parabelpuffer M6\*18 NK 55 St37  
 KP-D 025/16 Parabelpuffer M8\*20 NK 55 St37  
 KP-D 025/20 Parabelpuffer M6\*18 NK 55 St37  
 KP-D 025/20 Parabelpuffer M8\*20 NK 55 St37  
 KP-D 025/25 Parabelpuffer M6\*18 NK 55 St37  
 KP-D 025/25 Parabelpuffer M8\*25 NK 55 St37  
 KP-D 030/15 Parabelpuffer M10\*28 NK 55 St37  
 KP-D 030/15 Parabelpuffer M6\*18 NK 55 St37  
 KP-D 030/15 Parabelpuffer M8\*20 NK 55 St37  
 KP-D 030/30 Parabelpuffer M6\*18 NK 55 St37  
 KP-D 030/30 Parabelpuffer M8\*20 NK 55 St37  
 KP-D 030/36 Parabelpuffer M6\*20 NK 55 St37  
 KP-D 030/36 Parabelpuffer M8\*20 NK 55 St37  
 KP-D 035/40 Parabelpuffer M8\*23 NK 55 St37  
 KP-D 050/50 Parabelpuffer M10\*28 NK 55 St37  
 KP-D 050/50 Parabelpuffer M8\*28 NK 55 St37  
 KP-D 050/58 Parabelpuffer M10x28 NK 55 St37  
 KP-D 050/58 Parabelpuffer M8x20 NK 55 St37  
 KP-D 050/61 Parabelpuffer M10\*28 NK 55 St37  
 KP-D 050/61 Parabelpuffer M8\*23 NK 55 St37  
 KP-D 050/67 Parabelpuffer M10\*28 NK 55 St37



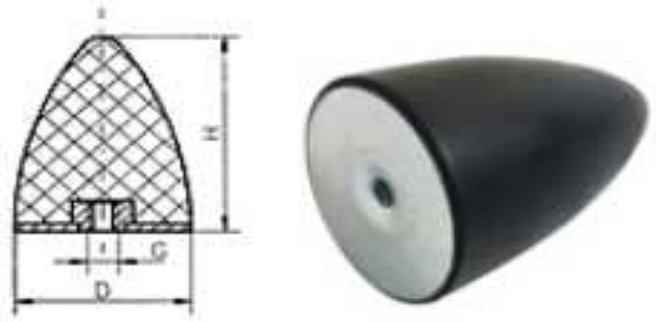
KP-D 050/67 Parabelpuffer M8\*23 NK 55 St37  
 KP-D 050/68 Parabelpuffer M10x28 NK 55 St37  
 KP-D 050/68 Parabelpuffer M8x23 NK 55 St37  
 KP-D 060/40 Parabelpuffer M 10x28 NK 55 St37  
 KP-D 060/40 Parabelpuffer M 14x62 NK 55 St37  
 KP-D 070/58 Parabelpuffer M10\*28 NK 55 St37  
 KP-D 070/58 Parabelpuffer M12\*37 NK55 St37  
 KP-D 070/60 Parabelpuffer M12\*37 NK55 St37  
 KP-D 070/60 Parabelpuffer M16\*44 NK55 St37  
 KP-D 075/89 Parabelpuffer M12\*37 NK 55 St37  
 KP-D 095/80 Parabelpuffer M10\*28 NK 55 St37  
 KP-D 095/80 Parabelpuffer M12\*37 NK 55 St37  
 KP-D 095/80 Parabelpuffer M16\*47 NK 55 St37  
 KP-D 108/121 Parabelpuffer M12\*30 NK 55 St37  
 KP-D 110/80 Parabelpuffer M 12\*25 NK 55 St37  
 KP-D 110/80 Parabelpuffer M 16\*44 NK 55 St37  
 KP-D 115/136 Parabelpuffer M12\*37 NK 55 St37  
 KP-D 115/136 Parabelpuffer M16\*45 NK 55 St37  
 KP-D 118/77 Parabelpuffer M16\*41 NK 55 St37



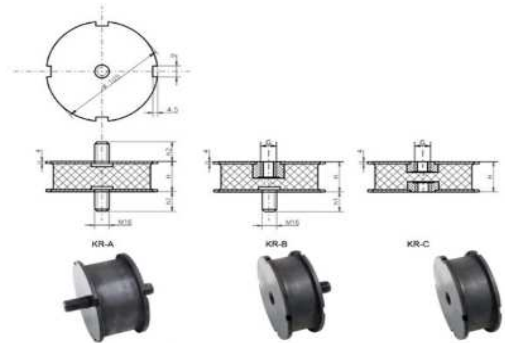
KP-E 010/10 Parabelpuffer M4 NK 55 St37  
 KP-E 010/10 Parabelpuffer M5 NK 55 St37  
 KP-E 015/15 Parabelpuffer M4 NK 55 St37  
 KP-E 015/15 Parabelpuffer M5 NK 55 St37  
 KP-E 015/22 Parabelpuffer M 6 NK 55 St37  
 KP-E 020/15 Parabelpuffer M6 NK 55 St37  
 KP-E 020/24 Parabelpuffer M6 NK 55 St37  
 KP-E 020/24 Parabelpuffer M8 NK 55 St37  
 KP-E 025/16 Parabelpuffer M6 NK 55 St37  
 KP-E 025/16 Parabelpuffer M8 NK 55 St37  
 KP-E 025/20 Parabelpuffer M5 NK 55 St37  
 KP-E 025/20 Parabelpuffer M6 NK 55 St37  
 KP-E 025/20 Parabelpuffer M8 NK 55 St37  
 KP-E 030/15 Parabelpuffer M10 NK 55 St37  
 KP-E 030/15 Parabelpuffer M6 NK 55 St37  
 KP-E 030/30 Parabelpuffer M6 NK 55 St37  
 KP-E 030/30 Parabelpuffer M8 NK 55 St37  
 KP-E 030/36 Parabelpuffer M6 NK 55 St37  
 KP-E 030/36 Parabelpuffer M8 NK 55 St37  
 KP-E 035/40 Parabelpuffer M8 NK 55 St37  
 KP-E 050/50 Parabelpuffer M10 NK 55 St37  
 KP-E 050/50 Parabelpuffer M8 NK 55 St37  
 KP-E 050/58 Parabelpuffer M10 NK 55 St37  
 KP-E 050/61 Parabelpuffer M10 NK 55 St37  
 KP-E 050/61 Parabelpuffer M8 NK 55 St37  
 KP-E 050/67 Parabelpuffer M10 NK 55 St37  
 KP-E 050/67 Parabelpuffer M8 NK 55 St37  
 KP-E 050/68 Parabelpuffer M10 NK 55 St37  
 KP-E 050/68 Parabelpuffer M8 NK 55 St37  
 KP-E 060/40 Parabelpuffer M10 NK 55 St37



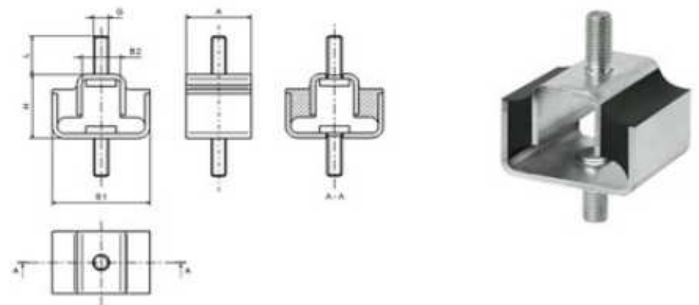
KP-E 070/58 Parabelpuffer M12 NK55 St37  
 KP-E 070/60 Parabelpuffer M12 NK55 St37  
 KP-E 075/89 Parabelpuffer M12 NK 55 St37  
 KP-E 095/80 Parabelpuffer M10 NK 55 St37  
 KP-E 095/80 Parabelpuffer M16 NK 55 St37  
 KP-E 115/136 Parabelpuffer M16 NK 55 St37  
 KP-E 118/77 Parabelpuffer M16 NK 55 St37  
 KP-E 118/77 Parabelpuffer M16 NK 55 St37



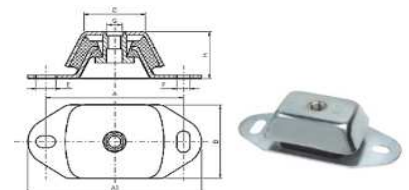
KR-1A 105/55 GM puffer M12\*37 NK 55 St37  
 KR-1A 105/55 GM puffer M16\*26 NK 55 St37  
 KR-1B 105/55 GM puffer M12\*27 NK 55 St37  
 KR-1B 105/55 GM puffer M16\*26 NK 55 St37  
 KR-2A 105/40 GM puffer M16\*26 NK 55 St37  
 KR-2B 105/40 GM puffer M16 NK 55 St37  
 KR-2B 105/40 GM puffer M16\*26/M16 NK 55 St37



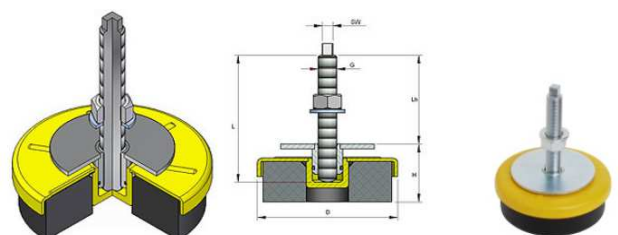
L2000W 52x35x36 U-lager L2000HS1 M8x21 NK 55 St37  
 183019 U-lager NK 70 St37



MF-01 230\*112\*73 Maschinentuss M20 NK 55 St37  
 MF-02 140\*183\*75 Maschinentuss M16 NK 55 St37  
 MF-03 120\*60\*40 Maschinentuss M10 NK 55 St37  
 MF-03 120\*60\*40 Maschinentuss M12 NK 55 St37

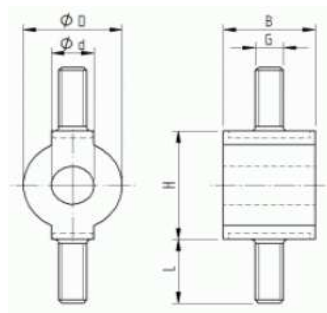


MFL-1 80/38-48 Maschinentuss M12x1,5x110 NK 70 St37  
 MFL-2 120/43-55 Maschinentuss M16x1,5x120 NK 70 St37  
 MFL-3 160/48-53 Maschinentuss M20x1,5x170 NK 70 St37

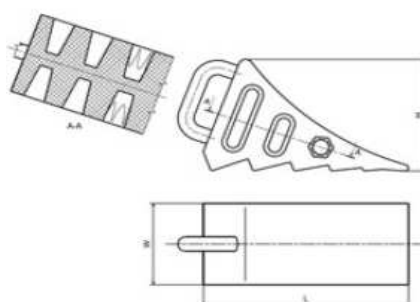




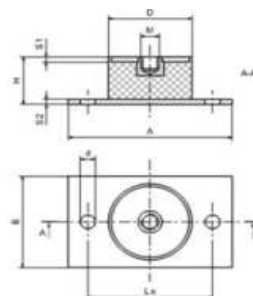
OM 12,5/12,5 12,5/12,5-9,5 O-Mount M4\*10 NK 55 St37  
 OM 17/14 14/14-13 O-Mount M4\*10 NK 55 St37  
 OM 25/30 25/30-20 O-Mount M5\*10 NK 45 St37  
 OM 25/30 25/30-20 O-Mount M5\*10 NK 55 St37  
 OM 25/30 25/30-20 O-Mount M5\*14 NK 55 St37  
 OM 25/30 25/30-20 O-Mount M5\*14/5\*6 NK 55 St37  
 OM 36/40 36/40-26 O-Mount M10\*20 NK 55 St37



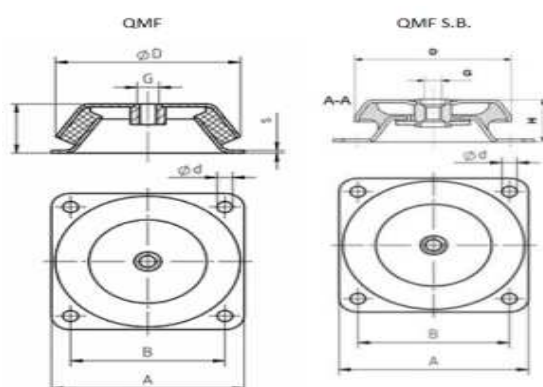
PEG-B nagy ék 100\*145\*228 NK 75  
 PEG-S kis ék 100\*105\*165 NK 75



PLO-1 80\*30/25\*33 M6 Trillindamper NK 55 St37  
 PLO-2 80\*30/30\*33 M8 Trillindamper NK 55 St37  
 PLO-3 100\*60/50\*33 M10 Trillindamper NK 55 St37  
 PLO-4 130\*80/75\*44 M12 Trillindamper NK 55 St37  
 PLO-5 120\*120/100\*44 M16 Trillindamper NK 55 St37



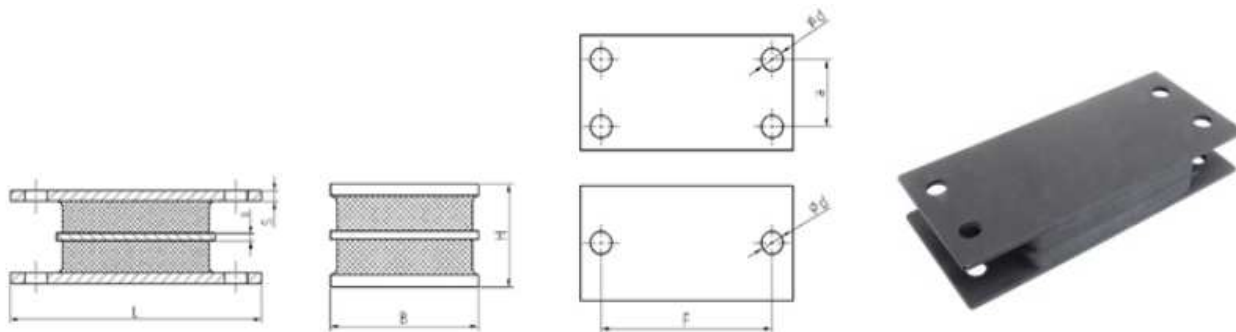
QMF 160/60 M 12 Maschinentfuss NK 60 St37  
 QMF 160/60 M 12 Maschinentfuss NK 60 St37 S.B.  
 QMF 160/60 M 16 Maschinentfuss NK 60 St37  
 QMF 160/60 M 16 Maschinentfuss NK 60 St37 S.B.  
 QMF 177/63 M 20 Maschinentfuss NK 60 St37  
 QMF 177/63 M 20 Maschinentfuss NK 60 St37 S.B.  
 QMF 177/63 M 30 Maschinentfuss NK 60 St37





R-100 Sandwich NK 60 St37

R-600 Sandwich NK 60 St37



RB 1 042/40 G.Puffer NK 85 St37

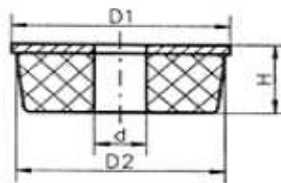
RB 2 062/60 G.Puffer NK 85 St37

RB 3 072/70 G.Puffer NK 85 St37

RB 4 082/80 G.Puffer NK 85 St37

RB 5 102/100 G.Puffer NK 85 St37

RB 6 122/120 G.Puffer NK 85 St37



RING-1 36/16,6-8 Ringelement R092 NK 55 St37

RING-2 36/6-16 Ringelement 261289011205 NK 55 St37

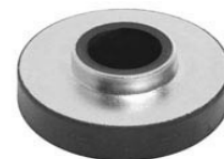
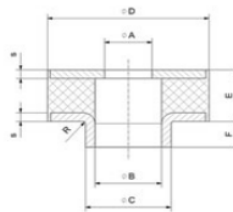
RING-3 36/8,5-10 Ringelement R027 NK 55 St37

RING-4 50\*16,5\*12 Ringelement R020 NK 55 St37

RING-5 50/16,5-11 Ringelement 103162 NK 55 St37

RING-6 60/20,5-13 Ringelement R026 NK 55 St37 nyak 10 mm

RING-6 60/20,5-13 Ringelement R026 NK 55 St37 nyak 6,5 mm

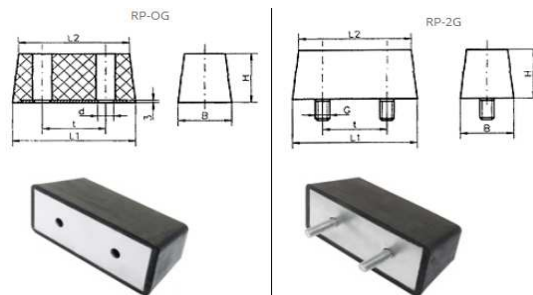


RP-2G 060\*150 RAD-GPuffer M10\*32 NK 55St37

RP-2G 100\*200 RAD-GPuffer M12\*36 NK 55 St37

RP-OG 060\*150 RAD-GPuffer NK 55 St37

RP-OG 100\*200 RAD-GPuffer NK 55 St37



SP-1 020/15-30 G.Puffer M6\*18 NK 55 St37

SP-1 020/15-40 G.Puffer M6\*18 NK 55 St37

SP-1 025,5/22-22 G.Puffer M8\*20 NK 55 St37

SP-1 040/35-28 G.Puffer M8\*23 NK 55 St37

SP-1 040/37-30 G.Puffer M8\*23 NK 55 St37

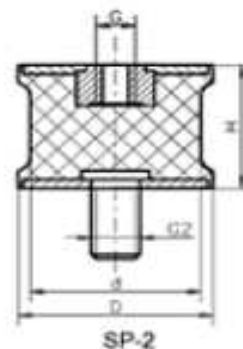
SP-1 046/40-25 G.Puffer M10\*28 NK 55 St37

SP-1 050/40-30 G.Puffer M10\*28 NK 55 St37

SP-1 075/70-40 G.Puffer M12\*37 NK 55 St37

SP-1 100/95-55 G.Puffer M16\*41 NK 55 St37

SP-1 100/95-75 G.Puffer M16\*45 NK 55 St37



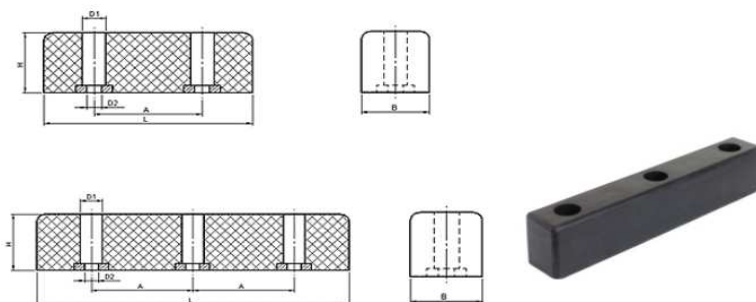
SP-2 020/15-30 G.Puffer M6 NK 55 St37  
 SP-2 020/15-40 G.Puffer M6 NK 55 St37  
 SP-2 025,5/22-22 G.Puffer M8\*18 NK 55 St37  
 SP-2 040/35-28 G.Puffer M8\*20 NK 55 St37  
 SP-2 040/37-30 G.Puffer M8\*20 NK 55 St37  
 SP-2 046/40-25 G.Puffer M10\*28 NK 55 St37  
 SP-2 050/40-30 G.Puffer M10\*28 NK 55 St37  
 SP-2 075/70-40 G.Puffer M12\*37 NK 55 St37  
 SP-2 100/95-55 G.Puffer M16\*41 NK 55 St37  
 SP-2 100/95-75 G.Puffer M16\*45 NK 55 St37



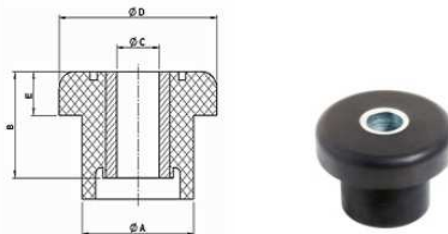
SP-3 020/15-30 G.Puffer M6 NK 55 St37  
 SP-3 020/15-40 G.Puffer M6 NK 55 St37  
 SP-3 025,5/22-22 G.Puffer M8 NK 55 St37  
 SP-3 040/35-28 G.Puffer M8 NK 55 St37  
 SP-3 040/37-30 G.Puffer M8 NK 55 St37  
 SP-3 046/40-25 G.Puffer M10 NK 55 St37  
 SP-3 050/40-30 G.Puffer M10 NK 55 St37  
 SP-3 075/70-40 G.Puffer M12 NK 55 St37  
 SP-3 100/95-55 G.Puffer M16 NK 55 St37  
 SP-3 100/95-75 G.Puffer M12 NK 55 St37  
 SP-3 100/95-75 G.Puffer M16 NK 55 St37



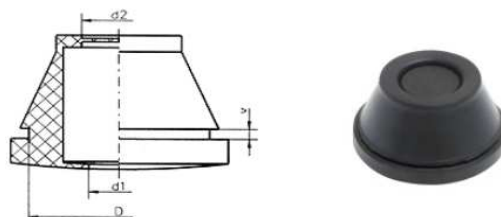
TAB-01 15/125/40 133007-15 NK 70 St37  
 TAB-02 40/125/40 133007-40 NK 70 St37  
 TAB-03 50/125/43 133007-50 NK 70 St37  
 TAB-04 70/125/43 133007-70 NK 70 St37  
 TAB-05 60/200/52 133000 NK 70 St37  
 TAB-06 80/200/52 133003 NK 70 St37  
 TAB-07 60/300/52 133001 NK 70 St37  
 TAB-08 80/300/52 133004 NK 70 St37  
 TAB-09 60/400/52 133002 NK 70 St37  
 TAB-10 80/400/52 133005 NK 70 St37  
 TAB-11 35/315/60 601370 NK 70 St37



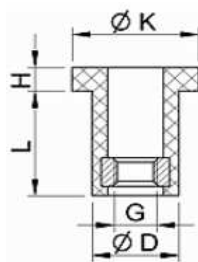
TB-1 27,7/20,6/10-17,5 T-Block NK 55 St37  
 TB-2 44,5/31,5/13\*25,4 T-Block NK 55 St37  
 TB-3 50,8/34,3/13\*36 T-Block NK 55 St37  
 TB-4 63,5/41,1/16\*44,5 T-Block NK 55 St37  
 TB-5 64/38/16-23 T-Block NK 55 St37  
 TB-6 25,4/56,6/20\*50,8 T-Block NK 55 St37



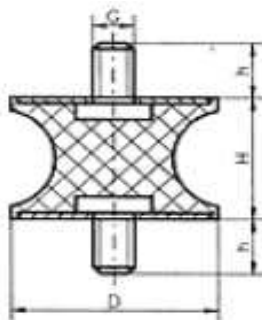
TET032 5/7 NK 55  
 TET033 7/10 NK 55  
 TET034 10/14 NK 55  
 TET035 14/20 NK 55  
 TET036 20/26 NK 55  
 TET037 26/35 NK 55



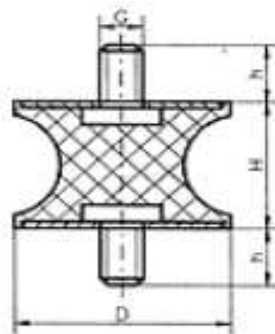
TF-1 7,2/9\*9 T-Flex M3 NK 55 St37  
 TF-2 9,3/12\*11,5 T-Flex M4 NK 55 St37  
 TF-3 10,2/15\*14,5 T-Flex M5 NK 55 St37  
 TF-4 12,7/18\*17 T-Flex M6 NK 55 St37  
 TF-4 12,7/18\*17 T-Flex M6 NK 75 St37  
 TF-5 16,5/24\*17 T-Flex M8 NK 55 St37



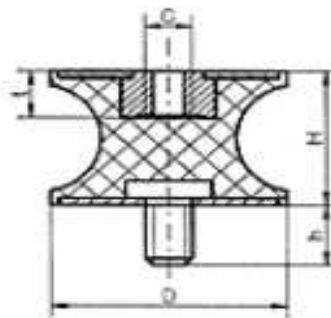
TP-1 025/18-20 Tailliert-Puffer M8\*23 NK 55 St37  
 TP-1 040/30-25 Tailliert-Puffer M10\*20 NK 55 St37  
 TP-1 055/44-45 Tailliert-Puffer M10\*28 NK 55 St37  
 TP-1 010/4,5-08 Tailliert-Puffer M3\*6 NK 55 St37  
 TP-1 010/4,5-08 Tailliert-Puffer M4\*10 NK 55 St37  
 TP-1 010/8-10 Tailliert-Puffer M4\*10 NK 55 St37  
 TP-1 010/8-10 Tailliert-Puffer M4\*5 NK 55 St37  
 TP-1 015/12-15 Tailliert-Puffer M4\*10 NK 55 St37  
 TP-1 015/12-15 Tailliert-Puffer M5\*15 NK 55 St37  
 TP-1 015/12-15 Tailliert-Puffer M6\*12 NK 55 St37  
 TP-1 015/8,5-15 Tailliert-Puffer M4\*10 NK 55 St37  
 TP-1 015/8,5-15 Tailliert-Puffer M4\*13 NK 55 St37  
 TP-1 020/12-30 Tailliert-Puffer M6\*18 NK 55 St37  
 TP-1 020/13-30 Tailliert-Puffer M6\*18 NK 55 St37  
 TP-1 020/14-15 Tailliert-Puffer M5\*10 NK 55 St37  
 TP-1 020/14-15 Tailliert-Puffer M6\*18 NK 55 St37  
 TP-1 020/14-19 Tailliert-Puffer M6\*18 NK 55 St37  
 TP-1 020/14-30 Tailliert-Puffer M4\*10 NK 55 St37  
 TP-1 020/14-30 Tailliert-Puffer M6\*18 NK 55 St37  
 TP-1 020/16-20 Tailliert-Puffer M5\*10 NK 55 St37  
 TP-1 020/16-20 Tailliert-Puffer M6\*18 NK 55 St37  
 TP-1 021/16-22 Tailliert-Puffer M6\*15 NK 55 St37  
 TP-1 025/18-20 Tailliert-Puffer M6\*18 NK 55 St37  
 TP-1 025/18-20 Tailliert-Puffer M8\*20 NK 55 St37  
 TP-1 025/20-20 Tailliert-Puffer M6\*18 NK 55 St37  
 TP-1 025/20-20 Tailliert-Puffer M8\*20 NK 55 St37  
 TP-1 030/18-25 Tailliert-Puffer M6\*15 NK 55 St37  
 TP-1 030/18-25 Tailliert-Puffer M8\*20 NK 55 St37  
 TP-1 030/18-25 Tailliert-Puffer M8\*23 NK 55 St37  
 TP-1 030/19,5-41 Tailliert-Puffer M8\*20 NK 55 St37  
 TP-1 030/22-20 Tailliert-Puffer M6\*18 NK 55 St37  
 TP-1 030/22-20 Tailliert-Puffer M8\*23 NK 55 St37  
 TP-1 030/22-30 Tailliert-Puffer M6\*15 NK 55 St37  
 TP-1 030/25-20 Tailliert-Puffer M8\*20 NK 55 St37  
 TP-1 030/25-20 Tailliert-Puffer M8\*23 NK 55 St37  
 TP-1 035/25-34 Tailliert-Puffer M8\*20 NK 55 St37  
 TP-1 035/31-15 Tailliert-Puffer M8\*20 NK 55 St37  
 TP-1 040/20-48 Tailliert-Puffer M10\*20 NK 55 St37  
 TP-1 040/20-48 Tailliert-Puffer M8\*23 NK 55 St37  
 TP-1 040/25-30 Tailliert-Puffer M10\*25 NK 55 St37  
 TP-1 040/25-30 Tailliert-Puffer M8\*23 NK 55 St37



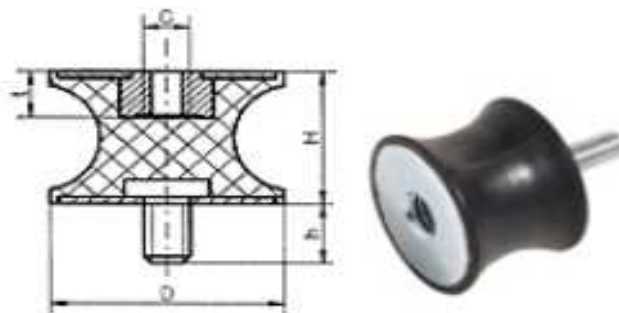
TP-1 040/30-25 Tailliert-Puffer M10\*28 NK 55 St37  
 TP-1 040/30-25 Tailliert-Puffer M8\*23 NK 55 St37  
 TP-1 040/32-50 Tailliert-Puffer M8\*23 NK 55 St37  
 TP-1 040/33-30 Tailliert-Puffer M10\*23 NK 55 St37  
 TP-1 040/33-30 Tailliert-Puffer M8\*23 NK 55 St37  
 TP-1 040/35-25 Tailliert-Puffer M10\*20 NK 55 St37  
 TP-1 050/35-50 Tailliert-Puffer M10\*28 NK 55 St37  
 TP-1 050/42-30 Tailliert-Puffer M10\*28 NK 55 St37  
 TP-1 050/42-30 Tailliert-Puffer M8\*28 NK 55 St37  
 TP-1 050/46-15 Tailliert-Puffer M10\*28 NK 55 St37  
 TP-1 055/44-45 Tailliert-Puffer M10x28 NK 55 St37  
 TP-1 055/44-45 Tailliert-Puffer M8x28 NK 55 St37  
 TP-1 057/25-45 Tailliert-Puffer M10\*28 NK 55 St37  
 TP-1 057/25-45 Tailliert-Puffer M8\*20 NK 55 St37  
 TP-1 057/25-45 Tailliert-Puffer M8\*28 NK 55 St37  
 TP-1 057/44-45 Tailliert-Puffer M10\*28 NK 55 St37  
 TP-1 057/44-45 Tailliert-Puffer M8\*20 NK 55 St37  
 TP-1 060/49-60 Tailliert-Puffer M 10\*20 NK 55 St37  
 TP-1 060/49-60 Tailliert-Puffer M 10\*28 NK 55 St37  
 TP-1 070/45-53 Tailliert-Puffer M10\*28 NK 55 St37  
 TP-1 070/45-53 Tailliert-Puffer M12\*37 NK 55 St37  
 TP-1 072/64-33,5 Tailliert-Puffer M12\*37 NK 55 St37  
 TP-1 075/60-40 Tailliert-Puffer M12\*37 NK 55 St37  
 TP-1 095/80-75 Tailliert-Puffer M16x41 NK 55 St37  
 TP-1 180/150-75 Tailliert-Puffer M20\*45 NK 55 St37



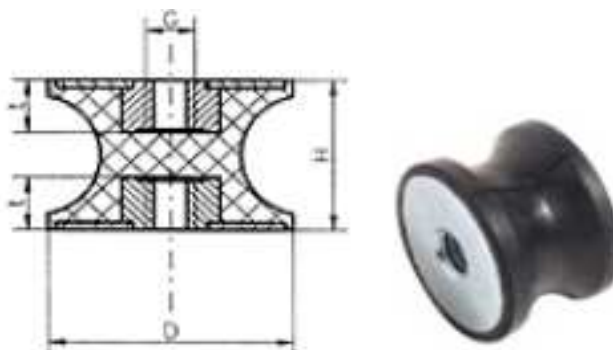
TP-2 010/4,5-08 Tailliert-Puffer M3\*6 NK 55 St37  
 TP-2 010/4,5-08 Tailliert-Puffer M4\*6 NK 55 St37  
 TP-2 010/8-10 Tailliert-Puffer M4\*10 NK 55 St37  
 TP-2 015/12-15 Tailliert-Puffer M4\*10 NK 55 St37  
 TP-2 015/12-15 Tailliert-Puffer M5\*10 NK 55 St37  
 TP-2 015/12-15 Tailliert-Puffer M6\*15 NK 55 St37  
 TP-2 015/8,5-15 Tailliert-Puffer M4\*10 NK 55 St37  
 TP-2 015/8,5-15 Tailliert-Puffer M5\*10 NK 55 St37  
 TP-2 020/12-30 Tailliert-Puffer M5\*10 NK 55 St37  
 TP-2 020/12-30 Tailliert-Puffer M6\*18 NK 55 St37  
 TP-2 020/14-15 Tailliert-Puffer M5\*10 NK 55 St37  
 TP-2 020/14-15 Tailliert-Puffer M6\*18 NK 55 St37  
 TP-2 020/14-19 Tailliert-Puffer M6\*18 NK 55 St37  
 TP-2 020/14-30 Tailliert-Puffer M6\*18 NK 55 St37  
 TP-2 020/16-22 Tailliert-Puffer M6\*18 NK 55 St37  
 TP-2 021/16-22 Tailliert-Puffer M6\*15 NK 55 St37  
 TP-2 025/18-20 Tailliert-Puffer M6\*18 NK 55 St37  
 TP-2 025/18-20 Tailliert-Puffer M8x23 NK 55 St37  
 TP-2 025/20-20 Tailliert-Puffer M6\*10 NK 55 St37  
 TP-2 030/18-25 Tailliert-Puffer M6\*15 NK 55 St37  
 TP-2 030/18-25 Tailliert-Puffer M8\*20 NK 55 St37  
 TP-2 030/18-25 Tailliert-Puffer M8\*23 NK 55 St37  
 TP-2 030/19,5-41 Tailliert-Puffer M8\*20 NK 55 St37  
 TP-2 030/22-20 Tailliert-Puffer M8\*20 NK 55 St37



TP-2 030/22-30 Tailliert-Puffer M6\*15 NK 55 St37  
 TP-2 035/25-34 Tailliert-Puffer M8\*20 NK 55 St37  
 TP-2 035/31-15 Tailliert-Puffer M8\*20 NK 55 St37  
 TP-2 040/20-48 Tailliert-Puffer M8\*23 NK 55 St37  
 TP-2 040/25-30 Tailliert-Puffer M8\*15 NK 55 St37  
 TP-2 040/25-30 Tailliert-Puffer M8\*23 NK 55 St37  
 TP-2 040/30-25 Tailliert-Puffer M10\*28 NK 55 St37  
 TP-2 040/30-25 Tailliert-Puffer M8\*23 NK 55 St37  
 TP-2 040/32-50 Tailliert-Puffer M 8\*15 NK 55 St37  
 TP-2 040/33-30 Tailliert-Puffer M10\*28 NK 55 St37  
 TP-2 040/33-30 Tailliert-Puffer M8\*23 NK 55 St37  
 TP-2 050/35-50 Tailliert-Puffer M10\*28 NK 55 St37  
 TP-2 050/42-30 Tailliert-Puffer M10\*28 NK 55 St37  
 TP-2 050/46-15 Tailliert-Puffer M10\*28 NK 55 St37  
 TP-2 055/44-45 Tailliert-Puffer M10\*20 NK 55 St37  
 TP-2 057/44-45 Tailliert-Puffer M10\*28 NK 55 St37  
 TP-2 060/49-60 Tailliert-Puffer M 10\*28 NK 55 St37  
 TP-2 070/45-53 Tailliert-Puffer M12\*37 NK 55 St37  
 TP-2 072/64-33,5 Tailliert-Puffer M12\*37 NK 55 St37  
 TP-2 075/60-40 Tailliert-Puffer M12\*37 NK 55 St37  
 TP-2 095/80-75 Tailliert-Puffer M12\*37 NK 55 St37  
 TP-2 095/80-75 Tailliert-Puffer M16\*41 NK 55 St37  
 TP-2 180/150-75 Tailliert-Puffer M20\*45 NK 55 St37

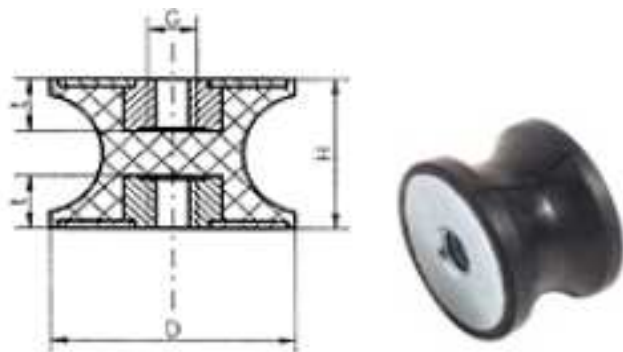


TP-3 010/4,5-8 Tailliert-Puffer M4 NK 55 St37  
 TP-3 010/8-10 Tailliert-Puffer M4 NK 55 St37  
 TP-3 015/12-15 Tailliert-Puffer M4 NK 55 St37  
 TP-3 015/8,5-15 Tailliert-Puffer M4 NK 55 St37  
 TP-3 020/12-20 Tailliert-Puffer M6 NK 55 St37  
 TP-3 020/12-30 Tailliert-Puffer M6 NK 55 St37  
 TP-3 020/14-15 Tailliert-Puffer M4 NK 55 St37  
 TP-3 020/14-15 Tailliert-Puffer M6 NK 55 St37  
 TP-3 020/14-19 Tailliert-Puffer M6 NK 55 St37  
 TP-3 020/14-30 Tailliert-Puffer M6 NK 55 St37  
 TP-3 020/16-20 Tailliert-Puffer M6 NK 55 St37  
 TP-3 021/16-22 Tailliert-Puffer M6 NK 55 St37  
 TP-3 025/18-20 Tailliert-Puffer M6 NK 55 St37  
 TP-3 025/20-20 Tailliert-Puffer M6 NK 55 St37  
 TP-3 025/20-20 Tailliert-Puffer M8 NK 55 St37  
 TP-3 030/18-25 Tailliert-Puffer M6 NK 55 St37  
 TP-3 030/18-25 Tailliert-Puffer M8 NK 55 St37  
 TP-3 030/19,5-41 Tailliert-Puffer M8 NK 55 St37  
 TP-3 030/22-20 Tailliert-Puffer M6 NK 55 St37  
 TP-3 030/22-20 Tailliert-Puffer M8 NK 55 St37  
 TP-3 030/22-30 Tailliert-Puffer M6 NK 55 St37  
 TP-3 030/25-20 Tailliert-Puffer M8 NK 55 St37  
 TP-3 035/25-34 Tailliert-Puffer M10 NK 55 St37  
 TP-3 035/25-34 Tailliert-Puffer M8 NK 55 St37  
 TP-3 035/31-15 Tailliert-Puffer M8 NK 55 St37  
 TP-3 040/20-48 Tailliert-Puffer M10 NK 55 St37

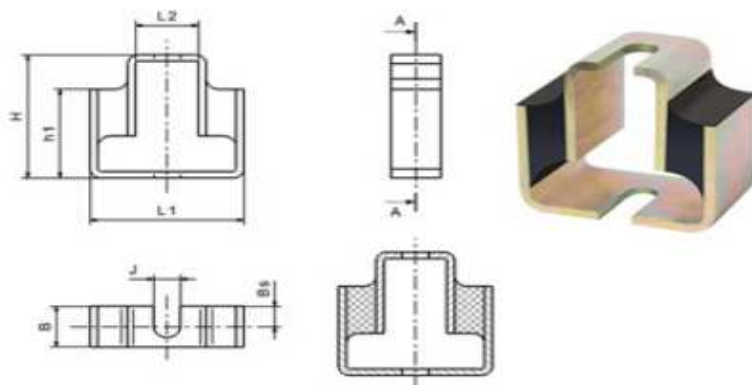




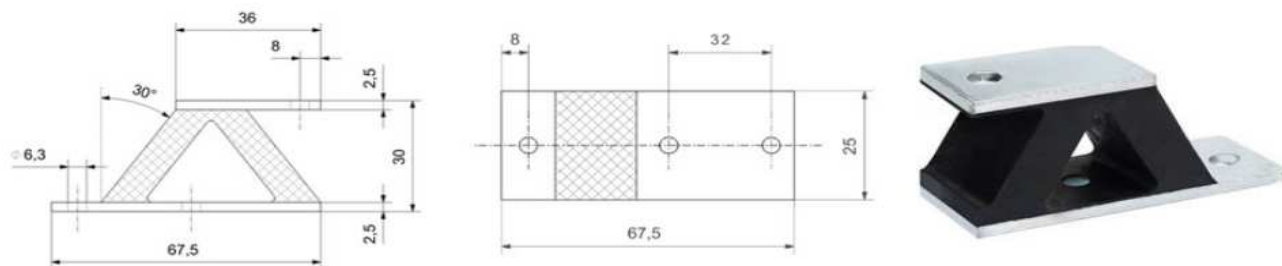
TP-3 040/20-48 Tailliert-Puffer M8 NK 55 St37  
 TP-3 040/25-30 Tailliert-Puffer M10 NK 55 St37  
 TP-3 040/25-30 Tailliert-Puffer M8 NK 55 St37  
 TP-3 040/32-50 Tailliert-Puffer M10 NK 55 St37  
 TP-3 040/32-50 Tailliert-Puffer M8 NK 55 St37  
 TP-3 040/33-30 Tailliert-Puffer M10 NK 55 St37  
 TP-3 040/33-30 Tailliert-Puffer M8 NK 55 St37  
 TP-3 050/35-50 Tailliert-Puffer M10 NK 55 St37  
 TP-3 050/35-50 Tailliert-Puffer M8 NK 55 St37  
 TP-3 050/42-30 Tailliert-Puffer M10 NK 55 St37  
 TP-3 050/42-30 Tailliert-Puffer M8 NK 55 St37  
 TP-3 050/46-15 Tailliert-Puffer M10 NK 55 St37  
 TP-3 055/44-45 Tailliert-Puffer M10 NK 55 St37  
 TP-3 055/44-45 Tailliert-Puffer M8 NK 55 St37  
 TP-3 057/25-45 Tailliert-Puffer M10 NK 55 St37  
 TP-3 057/44-45 Tailliert-Puffer M 10 NK 55 St37  
 TP-3 057/44-45 Tailliert-Puffer M 8 NK 55 St37  
 TP-3 060/49-60 Tailliert-Puffer M 10 NK 55 St37  
 TP-3 070/45-53 Tailliert-Puffer M12 NK 55 St37  
 TP-3 072/64-33,5 Tailliert-Puffer M12 NK 55 St37  
 TP-3 075/60-40 Tailliert-Puffer M12 NK 55 St37  
 TP-3 095/80-75 Tailliert-Puffer M12 NK 55 St37  
 TP-3 180/150-75 Tailliert-Puffer M20 NK 55 St37



U25 U-lager NK 40 St37 175gr  
 U25 U-lager NK 55 St37 175gr  
 U25 U-lager NK 60 St37 175gr  
 U50 U-lager NK 50 St37 60 gr  
 U50 U-lager NK 60 St37 60 gr  
 U50 U-lager NK 70 St37 60 gr  
 U50L U-lager NK 50 St37 190 gr  
 U50L U-lager NK 55 St37 190 gr  
 U65 U-lager NK 50 St37 100 gr  
 U65 U-lager NK 60 St37 100 gr  
 U80 U-lager NK 60 St37 194 gr

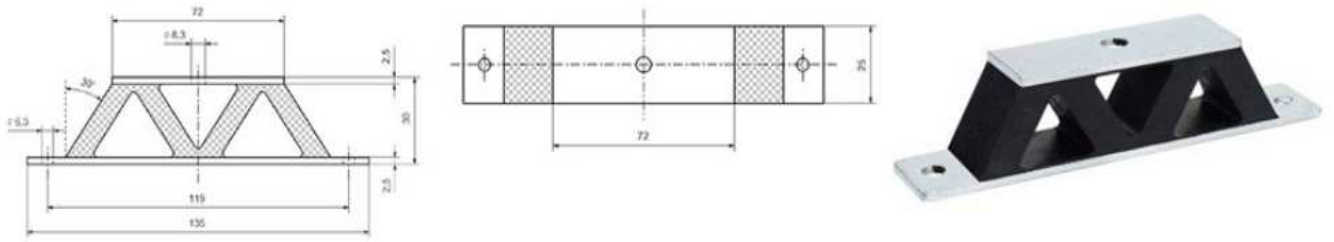


V Element 67,5\*25 818200 NK 55 St37





W Element 135\*25 818100 NK 55 St37



VIBR M0007 G.M Element NK 55 St37

VIBR M0025 G.M Element NK 55 St37

VIBR M0050 G.M Element NK 55 St37

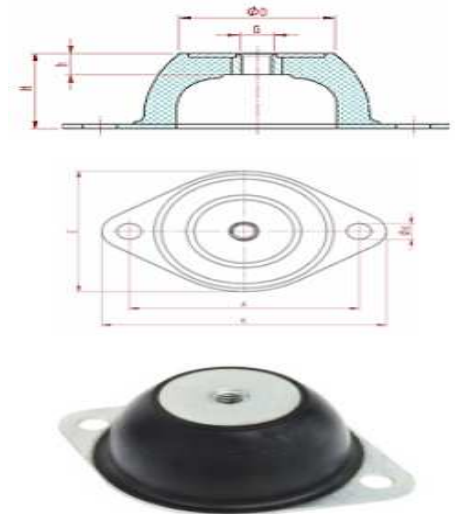
VIBR M0100 G.M Element NK 55 St37

VIBR M0200 G.M Element NK 55 St37

VIBR M0400 G.M Element NK 55 St37

VIBR M0600 G.M Element NK 55 St37

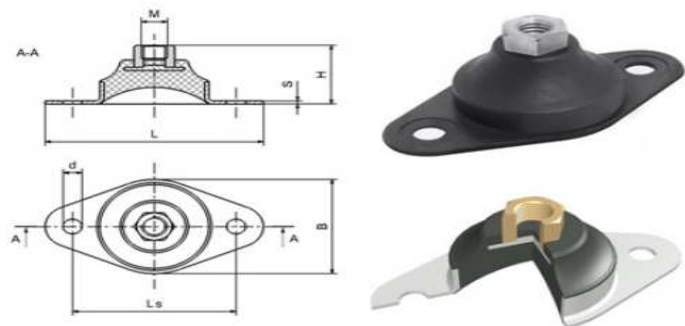
VIBR M1500 G.M Element M24 NK 55 St37



64 060 014 machine foot 35\*20\*60 M 6 NK 55 St37 HUT ELEMENT

64 090 014 machine foot 50\*32\*90 M 10 NK 55 St37 HUT ELEMENT

64 140 014 machine foot 80\*50\*140 M 16 NK 55 St37 HUT ELEMENT



KN-0 G.M Lager NK 55 St37

KN-1 al G.M Lager NK 80 Al

KN-1 G.M Lager NK 80 St37 natúr

KN-2 al G.M Lager NK 80 Al

KN-2 G.M Lager NK 80 St37 kromátolt

KN-2 G.M Lager NK 80 St37 natur

KN-3 al G.M Lager NK 80 Al

KN-3 G.M Lager NK 80 St37

